

POCKET DOORFRAMES, SLIDING SYSTEMS

JAP



JAP ∞

THE ONLY POCKET DOORFRAME ON THE MARKET
WITH A LIFETIME WARRANTY

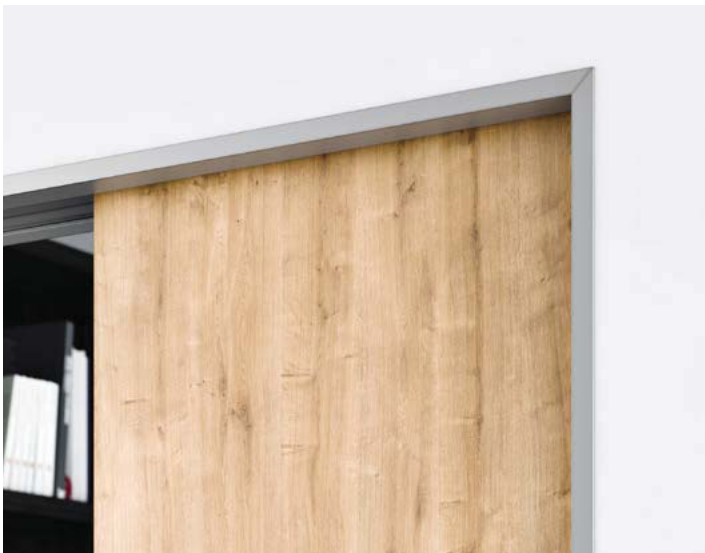
NORMA POCKET DOORFRAME



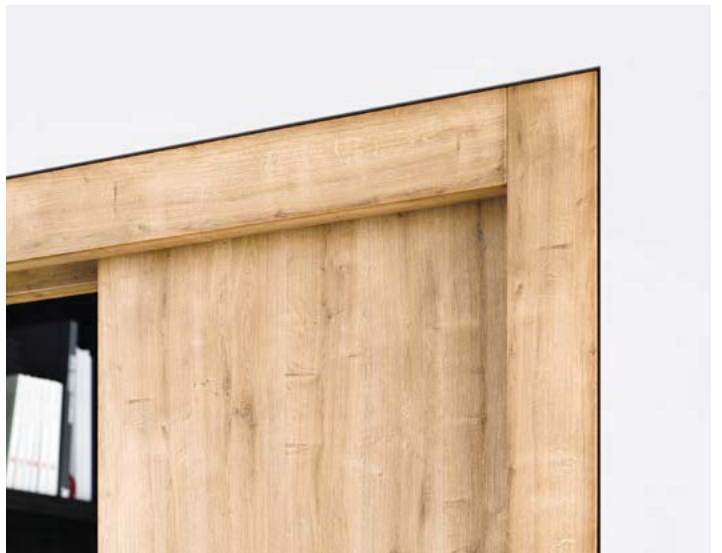
AKTIVE II POCKET DOORFRAME



EMOTIVE II POCKET DOORFRAME



LATENTE POCKET DOORFRAME



002 POCKET DOORFRAMES

006 NORMA

038 ELEKTRA

052 ATLAS

066 PURE

074 PROFIKIT

090 AKTIVE II

110 EMOTIVE II

126 LATENTE

144 FITTINGS

148 SLIDING SYSTEMS

151 TRIX

156 PREMIUM

160 STOCK PRODUCTS

DETAIL DECIDES

JAP FUTURE POCKET DOORFRAMES

We have been producing and delivering quality pocket doorframes for sliding doors since 2000. This construction element enables sliding doors to elegantly slide into a wall. The pocket doorframe provides an easy, trouble-free travelling mechanism for all door types, including all-glass doors.

We have two types of pocket doorframes, lined and unlined, and single-leaf and double-leaf pocket doorframes.

Unlined pocket doorframes are ideal for minimalist interiors, transforming the perception of space, giving clean, defined lines to your home. They are designed to form only the edge of the passage opening, remaining completely concealed beneath the final surface layer of the partition, i.e. behind a painted or papered wall. Unlined AKTIVE II concealed doorframe solutions lend a minimalist appearance even to revolving doors.

Single-leaf pocket doorframes can be used in both new construction and renovations. They are suitable for living rooms, bedrooms, kitchens, pantries, walk-in wardrobes, bathrooms, toilets, offices, and more.

The double-leaf pocket doorframe for two door leaves is particularly suitable where a wide passage is needed. For example between the kitchen and the living room. It is then simple to close the door to create two separate rooms when required. To enlarge the space, the door simply disappears into the wall and is no longer in the way.

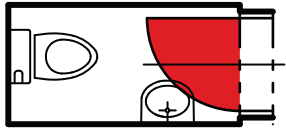


It's beautiful when the moon glides in front of the sun. This precise, graceful movement was the inspiration for our doorframes and sliding systems.

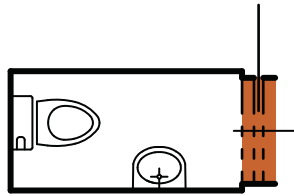


The modern method for partitioning individual areas with a JAP pocket doorframe is a very elegant, silent, and most importantly, barrier-free solution for any interior space. Saving space is the most obvious advantage to using a door that slides into a pocket doorframe. When open, the door leaf creates no obstruction, unlike standard hinged doors. In smaller rooms, they enable you to use the space along the wall directly adjacent to the door. A pocket doorframe will provide you with maximum convenience, space savings and a lighter design.

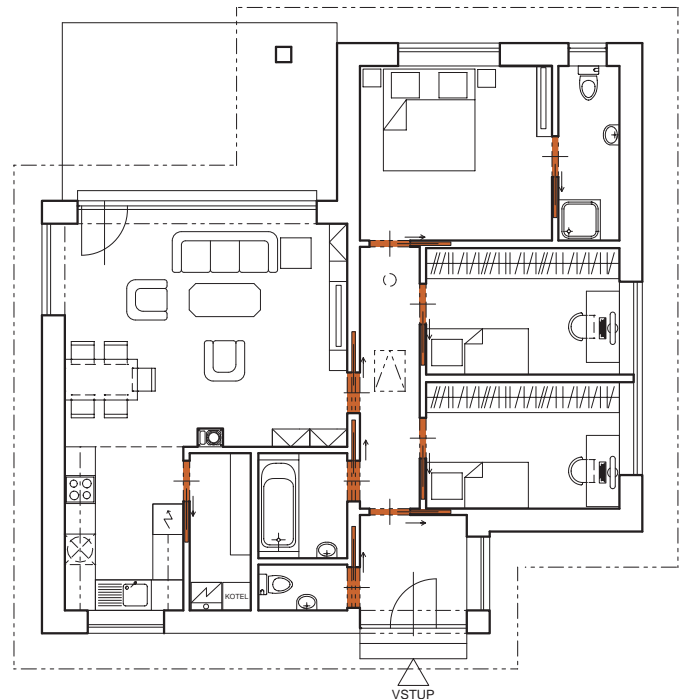
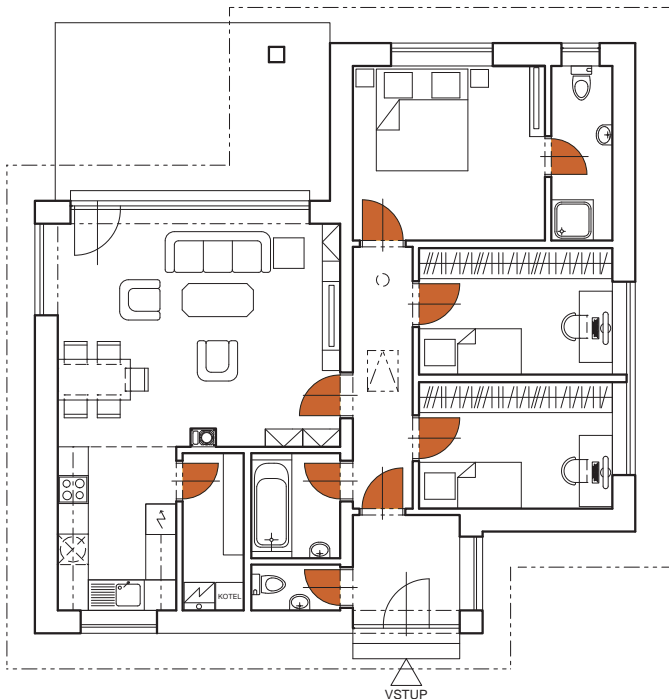
- Increase in usable space
- More practical options for renovating existing spaces
- Greater project design freedom
- Freer, safer movement around the room
- Greater living comfort



- Lack of space
- Limited interior layout options
- Obstruction to free movement



- Increase in usable space
- More practical options for renovating existing spaces
- Greater project design freedom
- Freer, safer movement around the room





Pocket doorframes

NORMA STANDARD / KOMFORT / UNIBOX / PARALLEL

NORMA STANDARD pocket door frame



JAP ∞

THE ONLY POCKET DOORFRAME ON THE MARKET
WITH A LIFETIME WARRANTY

NORMA STANDARD



NORMA KOMFORT



NORMA UNIBOX



NORMA PARALLEL



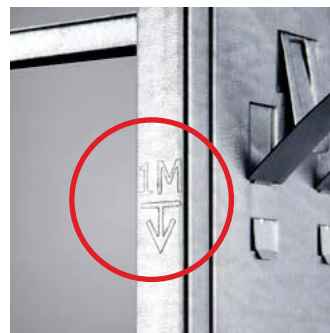
Anchor plates for masonry



Anchors for drywall



Benchmark



Pocket doorframe NORMA STANDARD

NORMA STANDARD pocket door frame

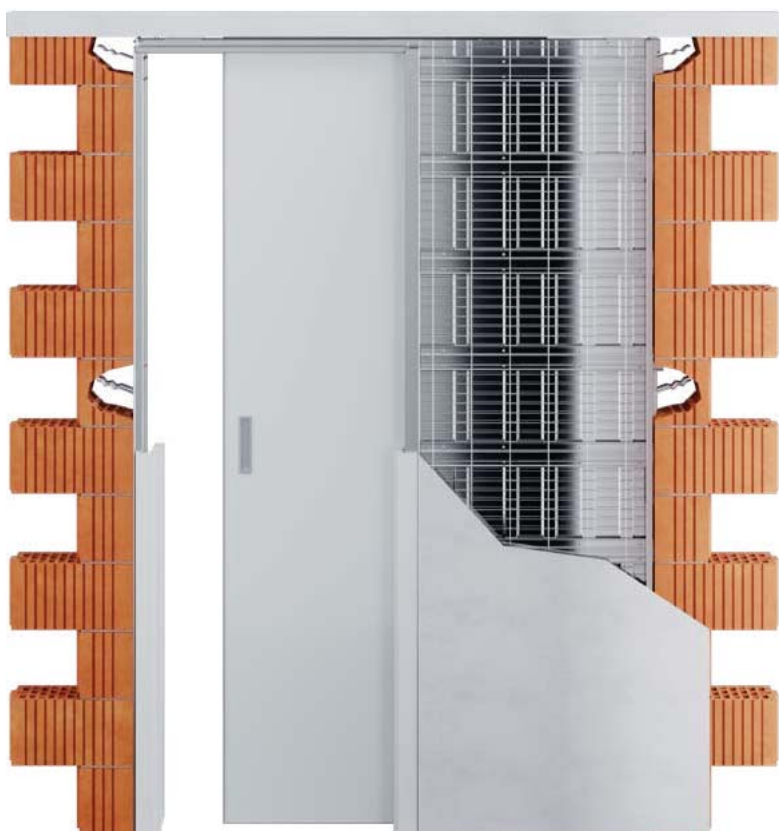


JAP ∞

THE ONLY POCKET DOORFRAME ON THE MARKET
WITH A LIFETIME WARRANTY

This model is the most common type of mounting panel pocket doorframe for single-leaf sliding doors. Optional non-standard dimensions to passage height of 2700 mm.

- This model is the most common type of mounting panel pocket doorframe for single-leaf sliding doors
- Optional non-standard dimensions to passage height of 2700 mm
- For drywall and masonry
- For masonry partitions, the opening must be fitted with a lintel – the pocket doorframe cannot bear a load
- For wooden, all-glass, MASTER DOOR and IDEA DOOR
- Compatible with all door manufacturers
- Maximum weight of one door leaf is 120 kg
- High-quality, very quiet travelling mechanism in a special aluminium moulding
- Removable upper rails
- Adjustable front stop
- Optional damping stop for gradual closing at extra charge
- Switch can be placed on doorframe pocket
- Whole frame made of high-quality galvanized sheet
- Guide mandrel with precise delimitation to the centre of the case
- Lifetime warranty
- Certified highest load capacity of cases in the Czech Republic (at 700,000 cycles)



Dimensions of pocket doorframe

NORMA STANDARD

All dimensions are in millimetres.

Maximum thickness of door leaf (F) for K 100: 68.

Maximum thickness of door leaf (Fa) for Ka 75: 52.

NORMA STANDARD 1970 mm

Height of net passage after installation of mounting panels (J): 1970.

Total height of the pocket doorframe (H): 2060.

Standard height of the door leaf (L): 1985.

Net passage after mounting panels min. (D × J)	Overall dimensions of pocket doorframe (E × H)	Width of metal pocket (A)	Width of passage after installation of pocket doorframe (B)	Standard dimensions of door leaf (C × L)	Dimensions of rough construction opening in drywall	Recommended dimensions for rough structural hole in masonry systems
600 × 1970	1345 × 2060	665	660	650 × 1985	1345 × 2060	1385 × 2080
700 × 1970	1545 × 2060	765	760	750 × 1985	1545 × 2060	1585 × 2080
800 × 1970	1745 × 2060	865	860	850 × 1985	1745 × 2060	1785 × 2080
900 × 1970	1945 × 2060	965	960	950 × 1985	1945 × 2060	1985 × 2080
1000 × 1970	2145 × 2060	1065	1060	1050 × 1985	2145 × 2060	2185 × 2080
1100 × 1970	2345 × 2060	1165	1160	1150 × 1985	2345 × 2060	2385 × 2080
1200 × 1970	2545 × 2060	1265	1260	1250 × 1985	2545 × 2060	2585 × 2080

NORMA STANDARD 2100 mm

Height of net passage after installation of mounting panels (J): 2100.

Total height of the pocket doorframe (H): 2190.

Standard height of the door leaf (L): 2115.

Net passage after mounting panels min. (D × J)	Overall dimensions of pocket doorframe (E × H)	Width of metal pocket (A)	Width of passage after installation of pocket doorframe (B)	Standard dimensions of door leaf (C × L)	Dimensions of rough construction opening in drywall	Recommended dimensions for rough structural hole in masonry systems
600 × 2100	1345 × 2190	665	660	650 × 2115	1345 × 2190	1385 × 2210
700 × 2100	1545 × 2190	765	760	750 × 2115	1545 × 2190	1585 × 2210
800 × 2100	1745 × 2190	865	860	850 × 2115	1745 × 2190	1785 × 2210
900 × 2100	1945 × 2190	965	960	950 × 2115	1945 × 2190	1985 × 2210
1000 × 2100	2145 × 2190	1065	1060	1050 × 2115	2145 × 2190	2185 × 2210
1100 × 2100	2345 × 2190	1165	1160	1150 × 2115	2345 × 2190	2385 × 2210
1200 × 2100	2545 × 2190	1265	1260	1250 × 2115	2545 × 2190	2585 × 2210

A – width of sheet metal pocket

B – width of passage after installation of pocket doorframe

C – standard width of door leaf

D – width of net passage after installation of mounting panels

E – total width of pocket doorframe

F – maximum thickness of door leaf

G – internal dimensions of frame

H – total height of pocket doorframe

I – floor–rail height (verification of positioning on the finished floor)

J – height of net passage after installation of mounting panels

K – external dimensions of pocket doorframe

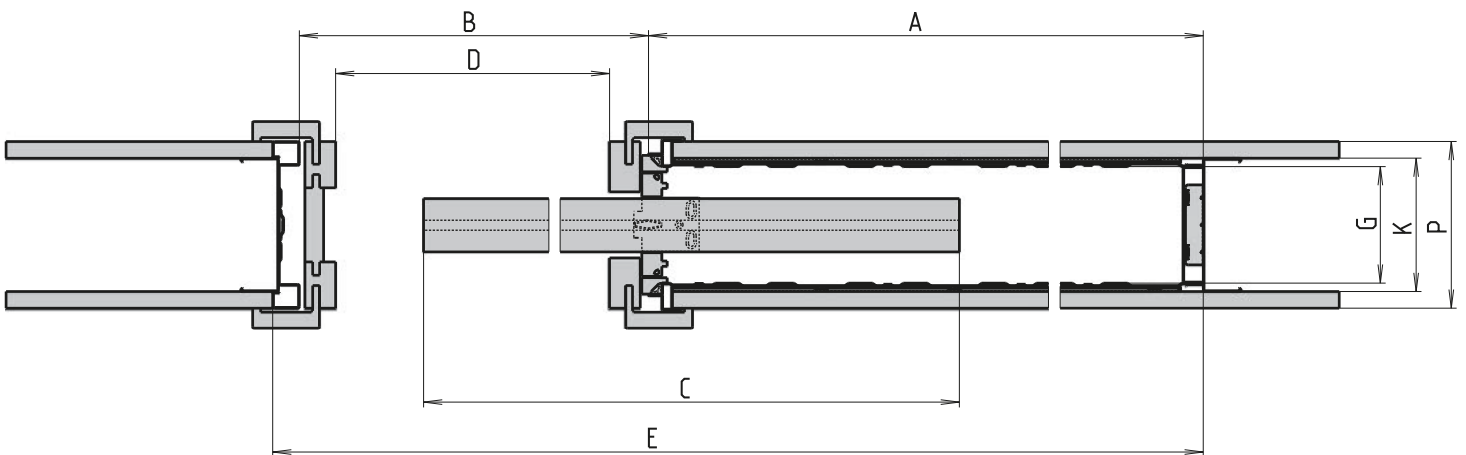
L – standard height of door leaf

P – minimum thickness of finished partition

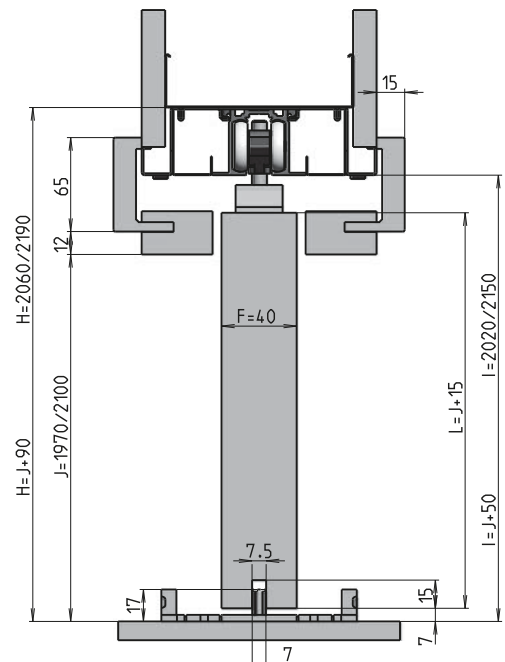
DATA NECESSARY FOR ORDERING NORMA STANDARD POCKET DOORFRAME

- Clear passage dimensions: D × J
- Partition type: Drywall × masonry
- Thickness of pocket doorframe and finished partition

- Outer thickness (K) of the NORMA STANDARD pocket doorframe is 100 mm = finished partition is 125 mm.
- Alternative thickness (Ka) of the NORMA STANDARD masonry and drywall pocket doorframe is 75 mm = the finished partition is 100 mm.
- Clearance of pocket doorframe G clinched = 87 mm, Ga clinched = 62 mm.
- The opening must be fitted with a lintel – the pocket doorframe cannot bear a load.
- The standard net passage is 1970 mm and 2100 mm for all types of pocket doorframes. Custom dimensions from 1980 mm to 2700 mm.
- For custom pocket doorframe dimensions, the pocket doorframe clearance is G = 78 mm for P = 125 mm and Ga = 52 mm for P = 100 mm drywall partition and Ga = 62 mm for P = 100 mm masonry partition. The width of the sheet metal pocket doorframe A and the total width of the pocket doorframe E is 10 mm narrower for custom dimensions than it is for the standard dimensions listed.



Horizontal cross-section of the NORMA STANDARD pocket doorframe with wooden door leaf 40 mm thick.



Vertical cross-section of NORMA STANDARD pocket with wooden door leaf 40 mm thick

Accessories for pocket doorframes

NORMA STANDARD

All accessories and joining material included.

INCLUDED IN THE PACKAGE

Set of travelling mechanisms

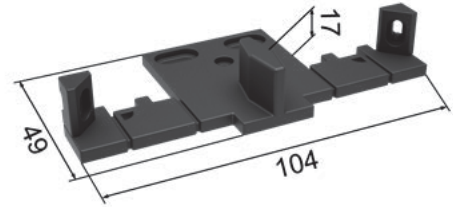
1 rail add-on



2 door racks



1 guide pin



2 stops



2 carriages



ACCESSORIES AT EXTRA CHARGE

Soft closing mechanism for wooden (≤ 60 kg) + activator

1 soft closing mechanism

1 activator



Soft closing mechanism for glass door (60–85 kg) + activator

1 soft closing mechanism

1 activator



Soft closing mechanism for glass door (85–120 kg) + activator

1 soft closing mechanism

1 activator

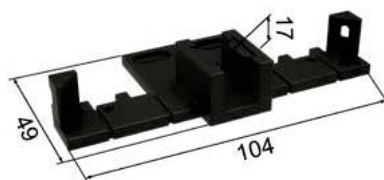


- To damp both sides, two single-sided damping systems must be used.

Set of fixtures for Vetro 22 glass door leaf with guide

2 Vetros

1 guide pin



DATA NECESSARY FOR ORDERING INSTALLATION PACKAGES FOR NORMA STANDARD POCKET DOORFRAME

- Net passage dimensions of pocket doorframe
- Weight of door leaf

NORMA STANDARD pocket doorframe fitted with a wooden door leaf



NORMA STANDARD pocket doorframe fitted with IDEA door



NORMA STANDARD pocket doorframe fitted with IDEALINE door



NORMA STANDARD pocket doorframe fitted with MASTER door



NORMA STANDARD pocket doorframe fitted with an all-glass door leaf



Pocket doorframe NORMA KOMFORT

NORMA KOMFORT pocket door frame



This model is a set of two construction casings connected with a guide moulding. Each pocket is intended for one single-leaf door that slides out against itself. Movement of door leaves is synchronized – synchronized track for KOMFORT included in price.

- For standard clearance heights of 1970 and 2100, a rolled pocket doorframe is delivered.
- Optional non-standard dimensions to passage height of 2700 mm
- For drywall and masonry
- For masonry partitions, the opening must be fitted with a lintel – the pocket doorframe cannot bear a load
- For wooden, all-glass, MASTER DOOR and IDEA DOOR
- Compatible with all door manufacturers
- Maximum weight of one door leaf is 120 kg
- High-quality, very quiet travelling mechanism in a special aluminium moulding
- Removable upper rails
- Adjustable front stop
- Optional damping stop for gradual closing at extra charge
- Switch can be placed on doorframe pocket
- Whole frame made of high-quality galvanized sheet
- Guide mandrel with precise delimitation to the centre of the case
- Lifetime warranty



Dimensions of pocket doorframe

NORMA KOMFORT

All dimensions are in millimetres.

Maximum thickness of door leaf (F) for K 100: 68.

Maximum thickness of door leaf (Fa) for Ka 75: 52.

NORMA KOMFORT 1970 mm

Height of net passage after installation of mounting panels (J): 1970.

Total height of the pocket doorframe (H): 2060.

Standard height of the door leaf (L): 1985.

Net passage after mounting panels min. (D × J)	Overall dimensions of pocket doorframe (E × H)	Width of metal pocket (A)	Width of passage after installation of pocket doorframe (B)	Standard dimensions of door leaf (C × L)	Dimensions of rough construction opening in drywall	Recommended dimensions for rough structural hole in masonry systems
1250 × 1970	2640 × 2060	2 × 665	1310	(2 × 650) × 1985	2640 × 2060	2680 × 2080
1450 × 1970	3040 × 2060	2 × 765	1510	(2 × 750) × 1985	3040 × 2060	3080 × 2080
1650 × 1970	3440 × 2060	2 × 865	1710	(2 × 850) × 1985	3440 × 2060	3480 × 2080
1850 × 1970	3840 × 2060	2 × 965	1910	(2 × 950) × 1985	3840 × 2060	3880 × 2080
2050 × 1970	4240 × 2060	2 × 1065	2110	(2 × 1050) × 1985	4240 × 2060	4280 × 2080
2250 × 1970	4640 × 2060	2 × 1165	2310	(2 × 1150) × 1985	4640 × 2060	4680 × 2080
2450 × 1970	5040 × 2060	2 × 1265	2510	(2 × 1250) × 1985	5040 × 2060	5080 × 2080

NORMA KOMFORT 2100 mm

Height of net passage after installation of mounting panels (J): 2100.

Total height of the pocket doorframe (H): 2190.

Standard height of the door leaf (L): 2115.

Net passage after mounting panels min. (D × J)	Overall dimensions of pocket doorframe (E × H)	Width of metal pocket (A)	Width of passage after installation of pocket doorframe (B)	Standard dimensions of door leaf (C × L)	Dimensions of rough construction opening in drywall	Recommended dimensions for rough structural hole in masonry systems
1250 × 2100	2640 × 2190	2 × 665	1310	(2 × 650) × 2115	2640 × 2190	2680 × 2210
1450 × 2100	3040 × 2190	2 × 765	1510	(2 × 750) × 2115	3040 × 2190	3080 × 2210
1650 × 2100	3440 × 2190	2 × 865	1710	(2 × 850) × 2115	3440 × 2190	3480 × 2210
1850 × 2100	3840 × 2190	2 × 965	1910	(2 × 950) × 2115	3840 × 2190	3880 × 2210
2050 × 2100	4240 × 2190	2 × 1065	2110	(2 × 1050) × 2115	4240 × 2190	4280 × 2210
2250 × 2100	4640 × 2190	2 × 1165	2310	(2 × 1150) × 2115	4640 × 2190	4680 × 2210
2450 × 2100	5040 × 2190	2 × 1265	2510	(2 × 1250) × 2115	5040 × 2190	5080 × 2210

A – width of sheet metal pocket

B – width of passage after installation of pocket doorframe

C – standard width of door leaf

D – width of net passage after installation of mounting panels

E – total width of pocket doorframe

F – maximum thickness of door leaf

G – internal dimensions of frame

H – total height of pocket doorframe

I – floor–rail height (verification of positioning on the finished floor)

J – height of net passage after installation of mounting panels

K – external dimensions of pocket doorframe

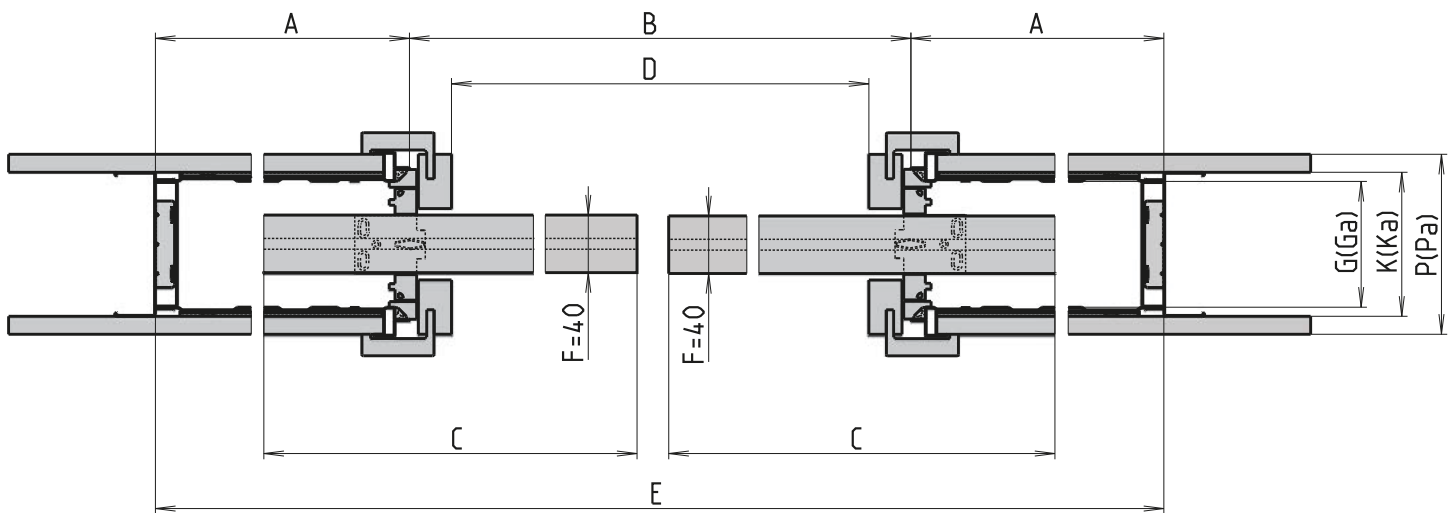
L – standard height of door leaf

P – minimum thickness of finished partition

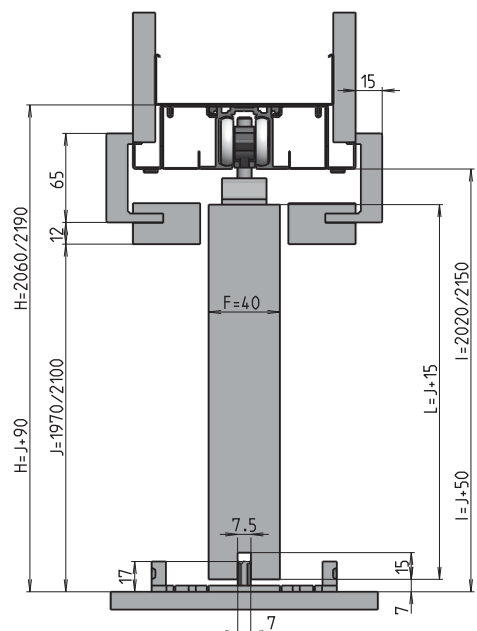
DATA NECESSARY FOR ORDERING NORMA KOMFORT POCKET DOORFRAME

- Clear passage dimensions: D × J
- Partition type: Drywall × masonry
- Thickness of pocket doorframe and finished partition

- Outer thickness (K) of the NORMA KOMFORT pocket doorframe is 100 mm = finished partition is 125 mm.
- Alternative thickness (Ka) of the NORMA KOMFORT masonry and drywall pocket doorframe is 75 mm = the finished partition is 100 mm. Clearance of pocket doorframe G rolled = 87 mm, Ga rolled = 62 mm.
- The opening must be fitted with a lintel – the pocket doorframe cannot bear a load.
- The standard net passage is 1970 mm and 2100 mm for all types of pocket doorframes. Custom dimensions from 1980 mm to 2700 mm.
- For custom pocket doorframe dimensions, the pocket doorframe clearance is $G = 78$ mm for $P = 125$ mm and $G_a = 52$ mm for $P = 100$ mm drywall partition and $G_a = 62$ mm for $P = 100$ mm masonry partition. The width of the sheet metal pocket doorframe A and the total width of the pocket doorframe E is 10 mm narrower for custom dimensions than it is for the standard dimensions listed.



Horizontal cross-section of a NORMA KOMFORT pocket doorframe with a wooden door leaf 40 mm thick.



Vertical cross-section of a NORMA KOMFORT pocket doorframe with a wooden door leaf 40 mm thick.

Accessories for pocket doorframes

NORMA KOMFORT

All accessories and joining material included.

INCLUDED IN THE PACKAGE

Set of travelling mechanisms

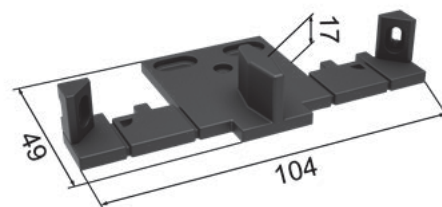
1 rail add-on



4 door racks



2 guide pins



4 stops



4 carriages



ACCESSORIES FREE OF CHARGE

Synchronizing mechanism package

2 brackets with slots



1 steel cable



2 pulleys



2 synchro washers



1 spring



1 clamp



ACCESSORIES AT EXTRA CHARGE

Soft closing mechanism for wooden (≤ 60 kg) + activator

2 soft closing mechanisms

2 activators



Soft closing mechanism for glass door (60–85 kg) + activator

2 soft closing mechanisms

2 activators



Soft closing mechanism for glass door (85–120 kg) + activator

2 soft closing mechanisms

2 activators

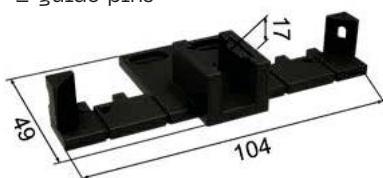


- To damp both sides, two single-sided damping systems must be used.

Set of fixtures for Vetro 22 glass door leaf with guide

4 Vetros

2 guide pins



DATA NECESSARY FOR ORDERING SOFT CLOSING MECHANISM FOR NORMA KOMFORT POCKET DOORFRAME

- Clear passage dimensions of pocket doorframe
- Weight of door leaf

Pocket doorframe NORMA UNIBOX

NORMA UNIBOX pocket doorframe



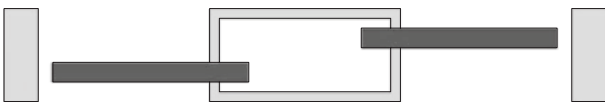
JAP ∞

THE ONLY POCKET DOORFRAME ON THE MARKET
WITH A LIFETIME WARRANTY

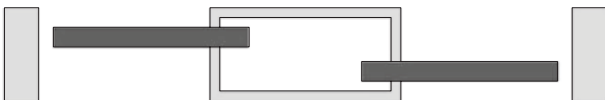
This is a double mounting panel pocket doorframe where two single-leaf doors close off two adjacent rooms. Each leaf moves separately.

- Optional non-standard dimensions to passage height of 2700 mm
- For drywall and masonry
- For masonry partitions, the opening must be fitted with a lintel – the pocket doorframe cannot bear a load
- For wooden, all-glass, MASTER DOOR and IDEA DOOR
- Compatible with all door manufacturers
- Maximum weight of one door leaf is 120 kg
- High-quality, very quiet travelling mechanism in a special aluminium moulding
- Removable upper rails
- Adjustable front stop
- Optional damping stop for gradual closing at extra charge
- Switch can be placed on doorframe pocket
- Whole frame made of high-quality galvanized sheet
- Guide mandrel with precise delimitation to the centre of the case
- Lifetime warranty

NORMA UNIBOX pocket doorframe – right



NORMA UNIBOX pocket doorframe – left



Dimensions of pocket doorframe

NORMA UNIBOX

All dimensions are in millimetres.

Maximum thickness of door leaf (F) for K 175: 65.

NORMA UNIBOX 1970 mm

Height of net passage after installation of mounting panels (J): 1970.

Total height of the pocket doorframe (H): 2060.

Standard height of the door leaf (L): 1985.

Net passage after mounting panels min. (D × J)	Overall dimensions of pocket doorframe (E × H)	Width of metal pocket (A)	Width of passage after installation of pocket doorframe (B)	Standard dimensions of door leaf (C × L)	Dimensions of rough construction opening in drywall	Recommended dimensions for rough structural hole in masonry systems
(2 × 600) × 1970	2027 × 2060	2 × 667	2 × 660	(2 × 650) × 1985	2027 × 2060	2067 × 2080
(2 × 700) × 1970	2327 × 2060	2 × 767	2 × 760	(2 × 750) × 1985	2327 × 2060	2367 × 2080
(2 × 800) × 1970	2627 × 2060	2 × 867	2 × 860	(2 × 850) × 1985	2627 × 2060	2667 × 2080
(2 × 900) × 1970	2927 × 2060	2 × 967	2 × 960	(2 × 950) × 1985	2927 × 2060	2967 × 2080
(2 × 1000) × 1970	3227 × 2060	2 × 1067	2 × 1060	(2 × 1050) × 1985	3227 × 2060	3267 × 2080
(2 × 1100) × 1970	3527 × 2060	2 × 1167	2 × 1160	(2 × 1150) × 1985	3527 × 2060	3567 × 2080
(2 × 1200) × 1970	3827 × 2060	2 × 1267	2 × 1260	(2 × 1250) × 1985	3827 × 2060	3867 × 2080

NORMA UNIBOX 2100 mm

Height of net passage after installation of mounting panels (J): 2100.

Total height of the pocket doorframe (H): 2190.

Standard height of the door leaf (L): 2115.

Net passage after mounting panels min. (D × J)	Overall dimensions of pocket doorframe (E × H)	Width of metal pocket (A)	Width of passage after installation of pocket doorframe (B)	Standard dimensions of door leaf (C × L)	Dimensions of rough construction opening in drywall	Recommended dimensions for rough structural hole in masonry systems
(2 × 600) × 2100	2027 × 2190	2 × 667	2 × 660	(2 × 650) × 2115	2027 × 2190	2067 × 2210
(2 × 700) × 2100	2327 × 2190	2 × 767	2 × 760	(2 × 750) × 2115	2327 × 2190	2367 × 2210
(2 × 800) × 2100	2627 × 2190	2 × 867	2 × 860	(2 × 850) × 2115	2627 × 2190	2667 × 2210
(2 × 900) × 2100	2927 × 2190	2 × 967	2 × 960	(2 × 950) × 2115	2927 × 2190	2967 × 2210
(2 × 1000) × 2100	3227 × 2190	2 × 1067	2 × 1060	(2 × 1050) × 2115	3227 × 2190	3267 × 2210
(2 × 1100) × 2100	3527 × 2190	2 × 1167	2 × 1160	(2 × 1150) × 2115	3527 × 2190	3567 × 2210
(2 × 1200) × 2100	3827 × 2190	2 × 1267	2 × 1260	(2 × 1250) × 2115	3827 × 2190	3867 × 2210

A – width of sheet metal pocket

B – width of passage after installation of pocket doorframe

C – standard width of door leaf

D – width of net passage after installation of mounting panels

E – total width of pocket doorframe

F – maximum thickness of door leaf

G – internal dimensions of frame

H – total height of pocket doorframe

I – floor–rail height (verification of positioning on the finished floor)

J – height of net passage after installation of mounting panels

K – external dimensions of pocket doorframe

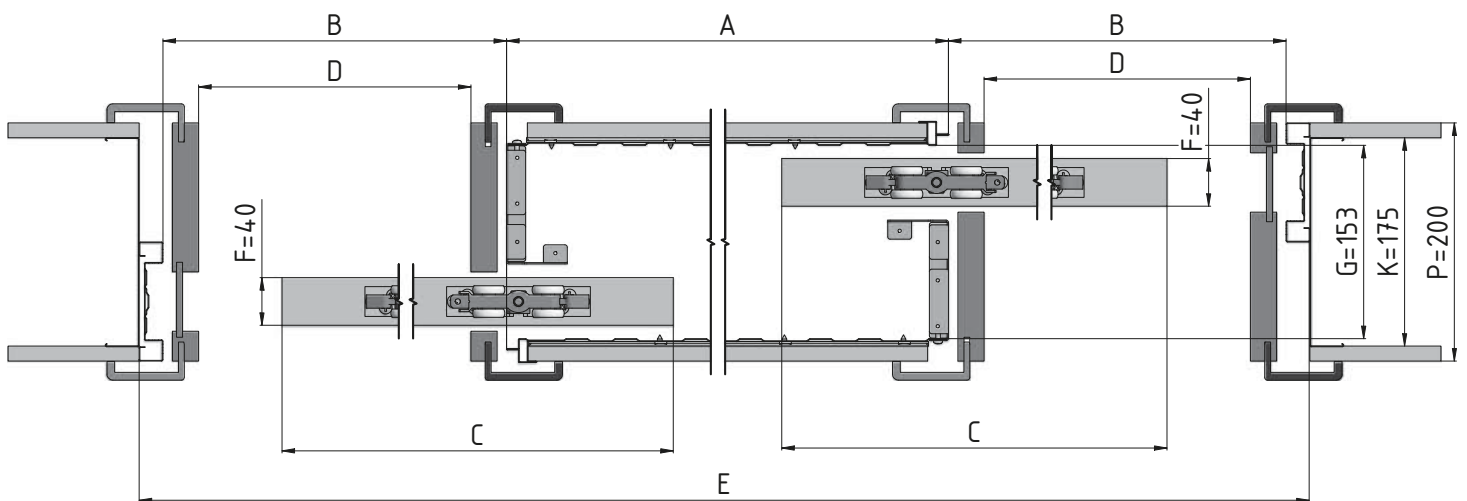
L – standard height of door leaf

P – minimum thickness of finished partition

DATA NECESSARY FOR ORDERING NORMA UNIBOX POCKET DOORFRAME

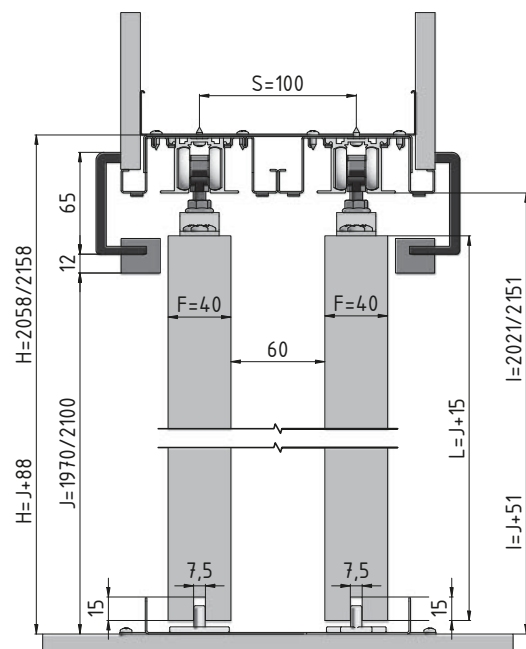
- Clear passage dimensions: D × J
- Partition type: Drywall × masonry
- Pocket doorframe type: right × left

- Outer thickness (K) of the NORMA UNIBOX pocket doorframe is 175 mm = finished partition is 200 mm.
- The opening must be fitted with a lintel – the pocket doorframe cannot bear a load.
- The standard net passage is 1970 mm and 2100 mm for all types of pocket doorframes.
- Optional non-standard dimensions to passage height of 2700 mm.



Horizontal cross-section of NORMA UNIBOX pocket doorframe with a wooden door leaf 40 mm thick.

Vertical cross-section of NORMA UNIBOX pocket doorframe with a wooden door leaf 40 mm thick.



Accessories for pocket doorframes

NORMA UNIBOX

All accessories and joining material included.

INCLUDED IN THE PACKAGE

Set of travelling mechanisms

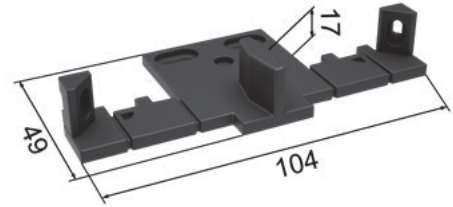
2 rail add-ons



4 door racks



2 guide pins



4 stops



4 carriages



ACCESSORIES AT EXTRA CHARGE

Soft closing mechanism for wooden (≤ 60 kg) + activator

2 soft closing mechanisms

2 activators



Soft closing mechanism for glass door (60–85 kg) + activator

2 soft closing mechanisms

2 activators



Soft closing mechanism for glass door (85–120 kg) + activator

2 soft closing mechanisms

2 activators

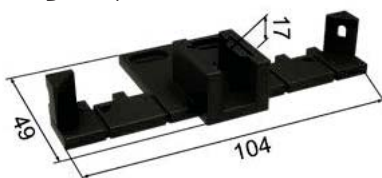


- To damp both sides, two single-sided damping systems must be used.

Set of fixtures for Vetro 22 glass door leaf with guide

4 Vetros

2 guide pins



DATA NECESSARY FOR ORDERING SOFT CLOSING MECHANISM FOR NORMA UNIBOX POCKET DOORFRAME

- Net passage dimensions of pocket doorframe
- Weight of door leaf

Pocket doorframe NORMA PARALLEL

NORMA PARALLEL pocket doorframe

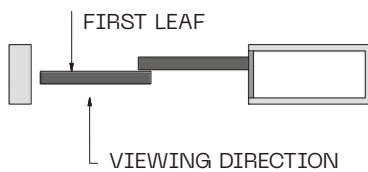


JAP ∞
THE ONLY POCKET DOORFRAME ON THE MARKET
WITH A LIFETIME WARRANTY

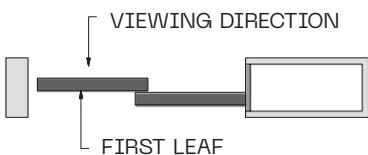
A type of mounting panel pocket doorframe in which two door leaves close behind each other in the same direction. Movement of door leaves is synchronized – Synchronized track for PARALLEL included in price.

- For this type, an all-glass door must be used
- For wooden MASTER DOOR and IDEA DOOR
- Optional non-standard dimensions to passage height of 2700 mm
- For drywall and masonry
- For masonry partitions, the opening must be fitted with a lintel – the pocket doorframe cannot bear a load
- Compatible with all door manufacturers
- Maximum weight of one door leaf is 90 kg
- High-quality, very quiet travelling mechanism in a special aluminium moulding. Removable upper rails
- Adjustable front stop
- Switch can be placed on doorframe pocket
- Whole frame made of high-quality galvanized sheet
- Guide mandrel with precise delimitation to the centre of the case
- Lifetime warranty

NORMA PARALLEL pocket doorframe – right



NORMA PARALLEL pocket doorframe –left



Dimensions of pocket doorframe

NORMA PARALLEL for wooden door

All dimensions are in millimetres.

Maximum thickness of door leaf (F) for K 175: 65.

NORMA PARALLEL 1970 mm

Height of net passage after installation of mounting panels (J): 1970.

Total height of the pocket doorframe (H): 2070.

Standard height of the door leaf (L): 1985.

Net passage after mounting panels min. (D × J)	Overall dimensions of pocket doorframe (E × H)	Width of metal pocket (A)	Width of passage after installation of pocket doorframe (B)	Standard dimensions of door leaf (C × L)	Dimensions of rough construction opening in drywall	Recommended dimensions for rough structural hole in masonry systems
1250 × 1970	1990 × 2070	665	1310	(2 × 650) × 1985	1990 × 2070	2030 × 2090
1450 × 1970	2290 × 2070	765	1510	(2 × 750) × 1985	2290 × 2070	2330 × 2090
1650 × 1970	2590 × 2070	865	1710	(2 × 850) × 1985	2590 × 2070	2630 × 2090
1850 × 1970	2890 × 2070	965	1910	(2 × 950) × 1985	2890 × 2070	2930 × 2090
2050 × 1970	3190 × 2070	1065	2110	(2 × 1050) × 1985	3190 × 2070	3230 × 2090
2250 × 1970	3490 × 2070	1165	2310	(2 × 1150) × 1985	3490 × 2070	3530 × 2090
2450 × 1970	3790 × 2070	1265	2510	(2 × 1250) × 1985	3790 × 2070	3830 × 2090

NORMA PARALLEL 2100 mm

Height of net passage after installation of mounting panels (J): 2100.

Total height of the pocket doorframe (H): 2200.

Standard height of the door leaf (L): 2115.

Net passage after mounting panels min. (D × J)	Overall dimensions of pocket doorframe (E × H)	Width of metal pocket (A)	Width of passage after installation of pocket doorframe (B)	Standard dimensions of door leaf (C × L)	Dimensions of rough construction opening in drywall	Recommended dimensions for rough structural hole in masonry systems
1250 × 2100	1990 × 2200	665	1310	(2 × 650) × 2115	1990 × 2200	2030 × 2200
1450 × 2100	2290 × 2200	765	1510	(2 × 750) × 2115	2290 × 2200	2330 × 2200
1650 × 2100	2590 × 2200	865	1710	(2 × 850) × 2115	2590 × 2200	2630 × 2200
1850 × 2100	2890 × 2200	965	1910	(2 × 950) × 2115	2890 × 2200	2930 × 2200
2050 × 2100	3190 × 2200	1065	2110	(2 × 1050) × 2115	3190 × 2200	3230 × 2200
2250 × 2100	3490 × 2200	1165	2310	(2 × 1150) × 2115	3490 × 2200	3530 × 2200
2450 × 2100	3790 × 2200	1265	2510	(2 × 1250) × 2115	3790 × 2200	3830 × 2200

A – width of sheet metal pocket

B – width of passage after installation of pocket doorframe

C – standard width of door leaf

D – width of net passage after installation of mounting panels

E – total width of pocket doorframe

F – maximum thickness of door leaf

G – internal dimensions of frame

H – total height of pocket doorframe

I – floor–rail height (verification of positioning on the finished floor)

J – height of net passage after installation of mounting panels

K – external dimensions of pocket doorframe

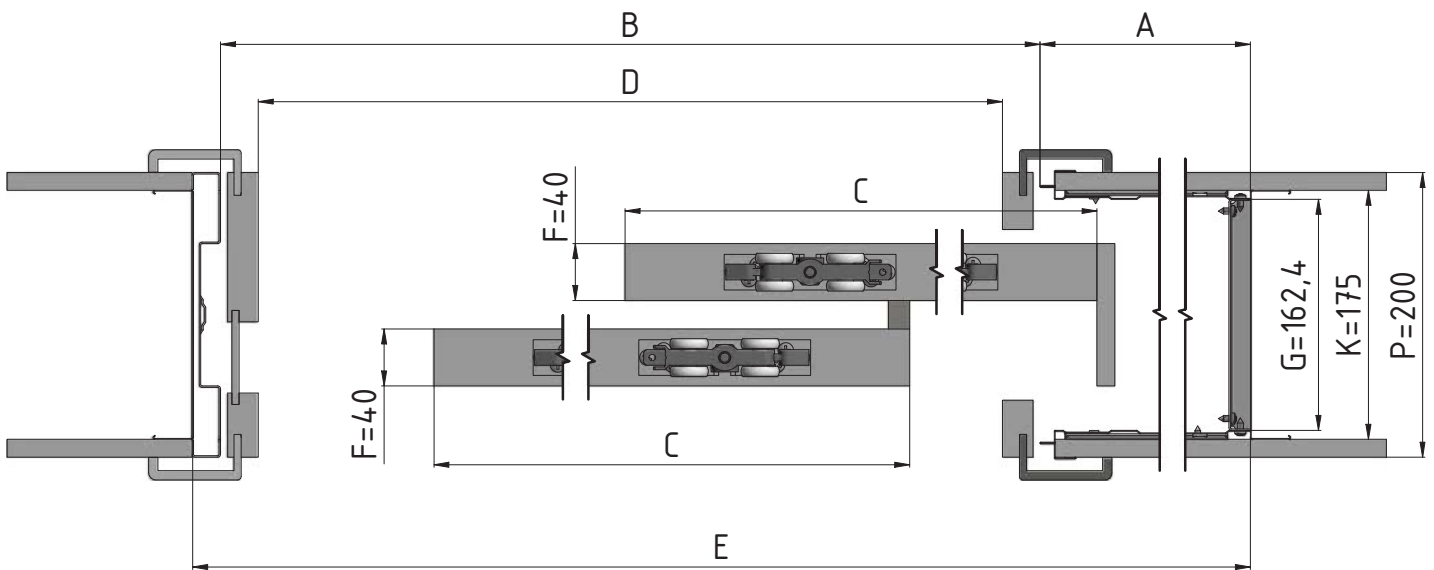
L – standard height of door leaf

P – minimum thickness of finished partition

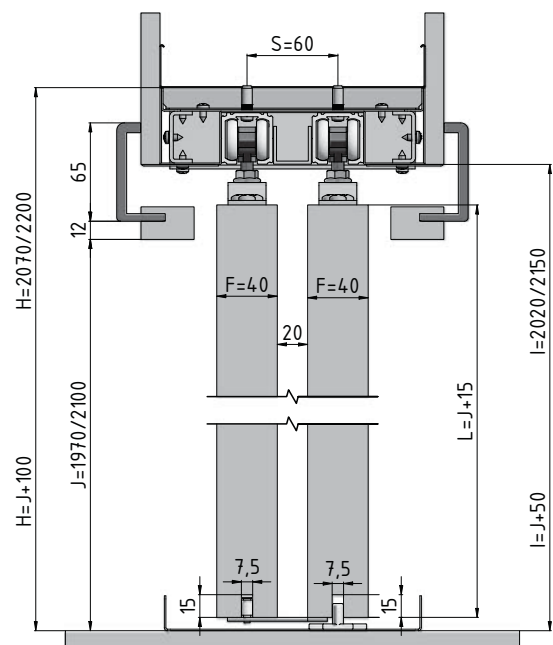
DATA NECESSARY FOR ORDERING NORMA PARALLEL POCKET DOORFRAME

- Clear passage dimensions: D × J
- Partition type: Drywall × masonry
- Pocket doorframe type: right × left

- Outer thickness (K) of the NORMA PARALLEL pocket doorframe is 175 mm = finished partition is 200 mm.
- Clearance of pocket doorframe G = 153 mm.
- The opening must be fitted with a lintel – the pocket doorframe cannot bear a load.
- The standard net passage is 1970 mm and 2100 mm for all types of pocket doorframes.
- Optional non-standard dimensions to passage height of 2700 mm.



Horizontal cross-section of NORMA PARALLEL pocket doorframe with a wooden door leaf 40 mm thick.



Vertical cross-section of NORMA PARALLEL frame with wooden door leaf 40 mm thick.

Accessories for pocket doorframes NORMA PARALLEL for wooden door

All accessories and joining material included.

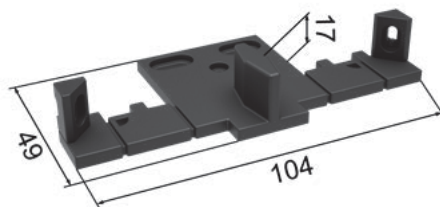
INCLUDED IN THE PACKAGE

Set of travelling mechanisms

4 door racks



1 guide pin



2 stops



4 carriages



ACCESSORIES FREE OF CHARGE

Synchro package for wooden door

1 steel cable



1 stop



1 parallel bracket



1 pulley carrier



1 spring with sleeve



1 end fixture



2 pulleys



Pocket doorframe NORMA PARALLEL for glass door

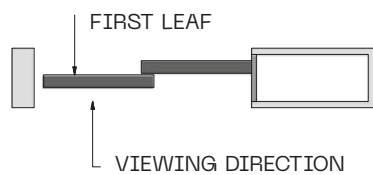
NORMA PARALLEL pocket doorframe for glass door



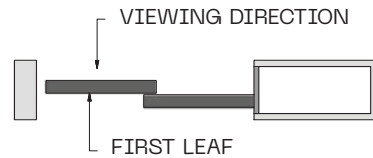
A type of mounting panel pocket doorframe in which two door leaves close behind each other in the same direction. Movement of door leaves is synchronized – synchronized track for glass door included in price.

- For this type, an all-glass door must be used
- Optional non-standard dimensions to passage height of 2700 mm
- For drywall and masonry
- For masonry partitions, the opening must be fitted with a lintel – the pocket doorframe cannot bear a load
- Compatible with all door manufacturers
- Maximum weight of one door leaf is 90 kg
- High-quality, very quiet travelling mechanism in a special aluminium moulding.
- Removable upper rails
- Adjustable front stop
- Switch can be placed on doorframe pocket
- Whole frame made of high-quality galvanized sheet
- Guide mandrel with precise delimitation to the centre of the case
- Lifetime warranty

NORMA PARALLEL pocket doorframe for glass door – right



NORMA PARALLEL pocket doorframe for glass door – left



Dimensions of pocket doorframe

NORMA PARALLEL for glass door

All dimensions are in millimetres.

Possible thicknesses of door leaf (F) for K 175: single-layer glass: 8, 10 / laminated glass: 8.76 and 10.76.

NORMA PARALLEL 1970 mm

Height of net passage after installation of mounting panels (J): 1970.

Total height of the pocket doorframe (H): 2070.

Standard height of the door leaf (L): 1985.

Net passage after mounting panels min. (D × J)	Overall dimensions of pocket doorframe (E × H)	Width of metal pocket (A)	Width of passage after installation of pocket doorframe (B)	Standard dimensions for glass door leaves (C1, C2) × L	Dimensions of rough construction opening in drywall	Recommended dimensions for rough structural hole in masonry systems
1250 × 1970	1990 × 2070	665	1310	(700, 650) × 1985	1990 × 2070	2030 × 2090
1450 × 1970	2290 × 2070	765	1510	(800, 750) × 1985	2290 × 2070	2330 × 2090
1650 × 1970	2590 × 2070	865	1710	(900, 850) × 1985	2590 × 2070	2630 × 2090
1850 × 1970	2890 × 2070	965	1910	(1000, 950) × 1985	2890 × 2070	2930 × 2090
2050 × 1970	3190 × 2070	1065	2110	(1100, 1050) × 1985	3190 × 2070	3230 × 2090
2250 × 1970	3490 × 2070	1165	2310	(1200, 1150) × 1985	3490 × 2070	3530 × 2090
2450 × 1970	3790 × 2070	1265	2510	(1300, 1250) × 1985	3790 × 2070	3830 × 2090

NORMA PARALLEL 2100 mm

Height of net passage after installation of mounting panels (J): 2100.

Total height of the pocket doorframe (H): 2200.

Standard height of the door leaf (L): 2115.

Net passage after mounting panels min. (D × J)	Overall dimensions of pocket doorframe (E × H)	Width of metal pocket (A)	Width of passage after installation of pocket doorframe (B)	Standard dimensions for glass door leaves (C1, C2) × L	Dimensions of rough construction opening in drywall	Recommended dimensions for rough structural hole in masonry systems
1250 × 2100	1990 × 2200	665	1310	(700, 650) × 2115	1990 × 2200	2030 × 2200
1450 × 2100	2290 × 2200	765	1510	(800, 750) × 2115	2290 × 2200	2330 × 2200
1650 × 2100	2590 × 2200	865	1710	(900, 850) × 2115	2590 × 2200	2630 × 2200
1850 × 2100	2890 × 2200	965	1910	(1000, 950) × 2115	2890 × 2200	2930 × 2200
2050 × 2100	3190 × 2200	1065	2110	(1100, 1050) × 2115	3190 × 2200	3230 × 2200
2250 × 2100	3490 × 2200	1165	2310	(1200, 1150) × 2115	3490 × 2200	3530 × 2200
2450 × 2100	3790 × 2200	1265	2510	(1300, 1250) × 2115	3790 × 2200	3830 × 2200

A – width of sheet metal pocket

B – width of passage after installation of pocket doorframe

C – standard width of door leaf

D – width of net passage after installation of mounting panels

E – total width of pocket doorframe

F – maximum thickness of door leaf

G – internal dimensions of frame

H – total height of pocket doorframe

I – floor–rail height (verification of positioning on the finished floor)

J – height of net passage after installation of mounting panels

K – external dimensions of pocket doorframe

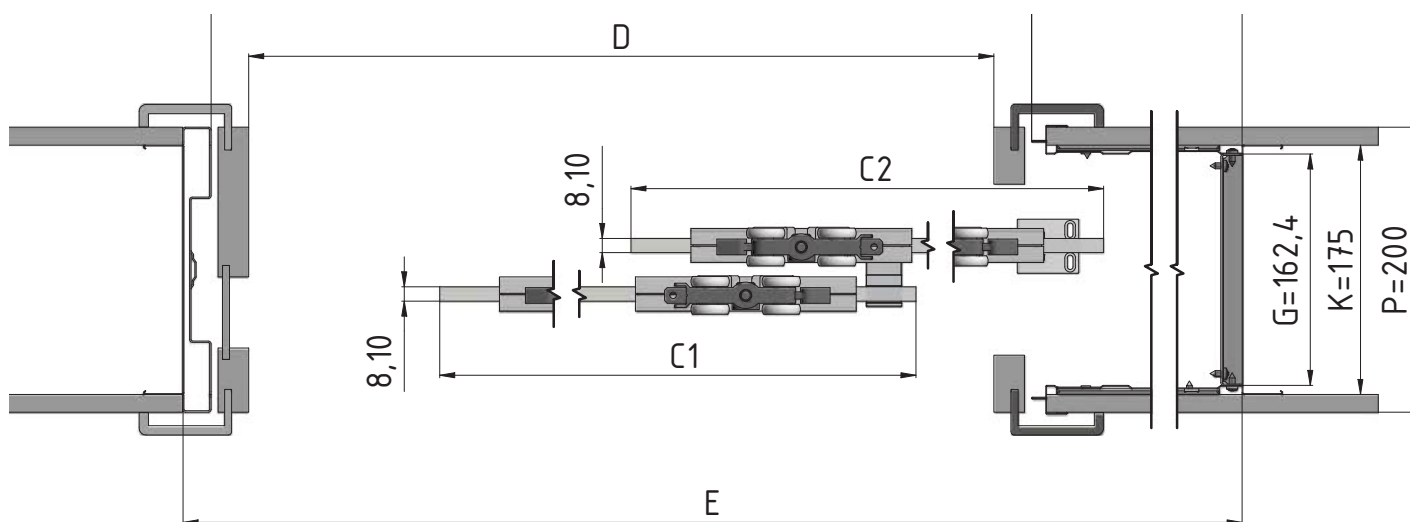
L – standard height of door leaf

P – minimum thickness of finished partition

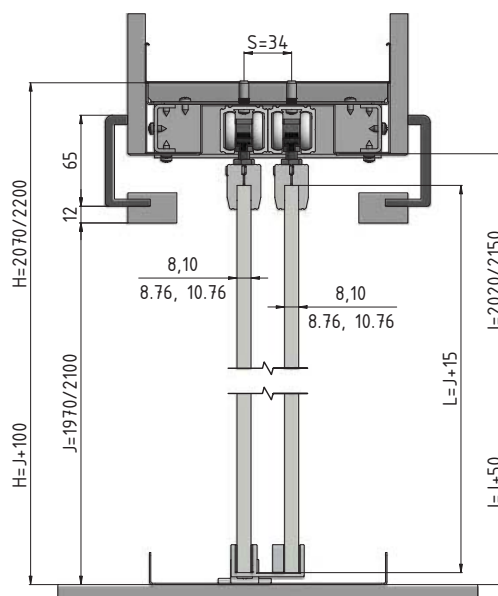
DATA NECESSARY FOR ORDERING NORMA PARALLEL POCKET DOORFRAME

- Clear passage dimensions: D × J
- Partition type: Drywall × masonry
- Pocket doorframe type: right × left

- Outer thickness (K) of the NORMA PARALLEL pocket doorframe for glass door is 175 mm = finished partition is 200 mm.
- Clearance of pocket doorframe $G = 153$ mm.
- The opening must be fitted with a lintel – the pocket doorframe cannot bear a load.
- The standard net passage is 1970 mm and 2100 mm for all types of pocket doorframes.
- Optional non-standard dimensions to passage height of 2700 mm.



Horizontal cross-section of NORMA PARALLEL pocket doorframe with a glass door leaf 40 mm thick.



Vertical cross-section of NORMA PARALLEL pocket doorframe with a glass door leaf 40 mm thick.

Accessories for pocket doorframes NORMA PARALLEL for glass door

All accessories and joining material included.

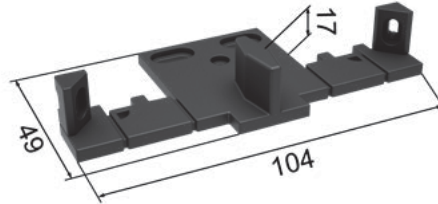
INCLUDED IN THE PACKAGE

Set of travelling mechanisms

4 door racks



1 guide pin



2 stops



4 carriages



ACCESSORIES FREE OF CHARGE

Synchro package for glass door

1 steel cable



1 stop



1 synchro washer



1 Vetro pulley carrier



1 guide + set of spacers



1 spring with sleeve



1 end fixture



2 pulleys



Pocket doorframe ELEKTRA STANDARD / KOMFORT

ELEKTRA STANDARD pocket door frame

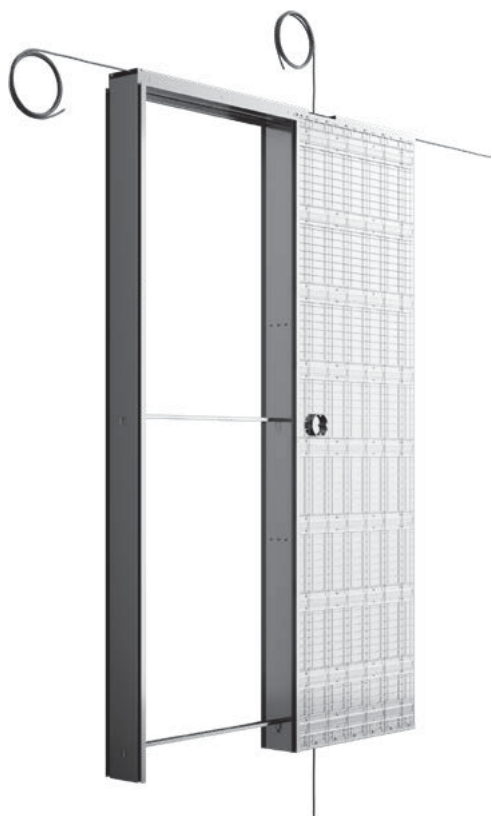


JAP ∞

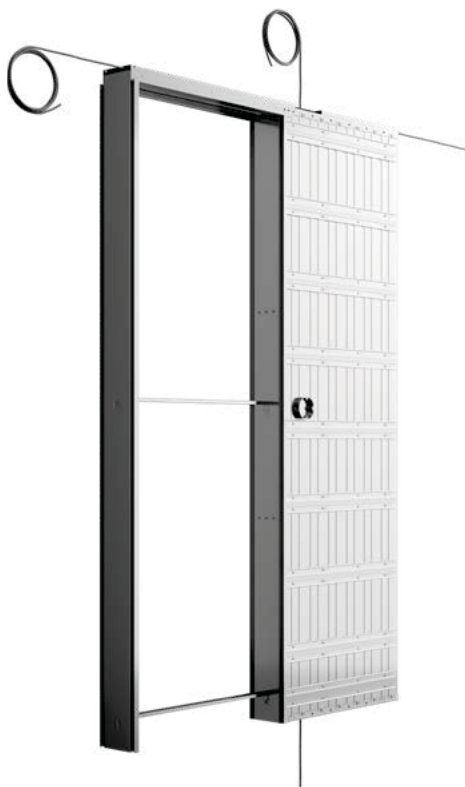
THE ONLY POCKET DOORFRAME ON THE MARKET
WITH A LIFETIME WARRANTY

ELEKTRA STANDARD

MASONRY



DRYWALL



BENCHMARK



Pocket doorframe ELEKTRA STANDARD

ELEKTRA STANDARD pocket door frame

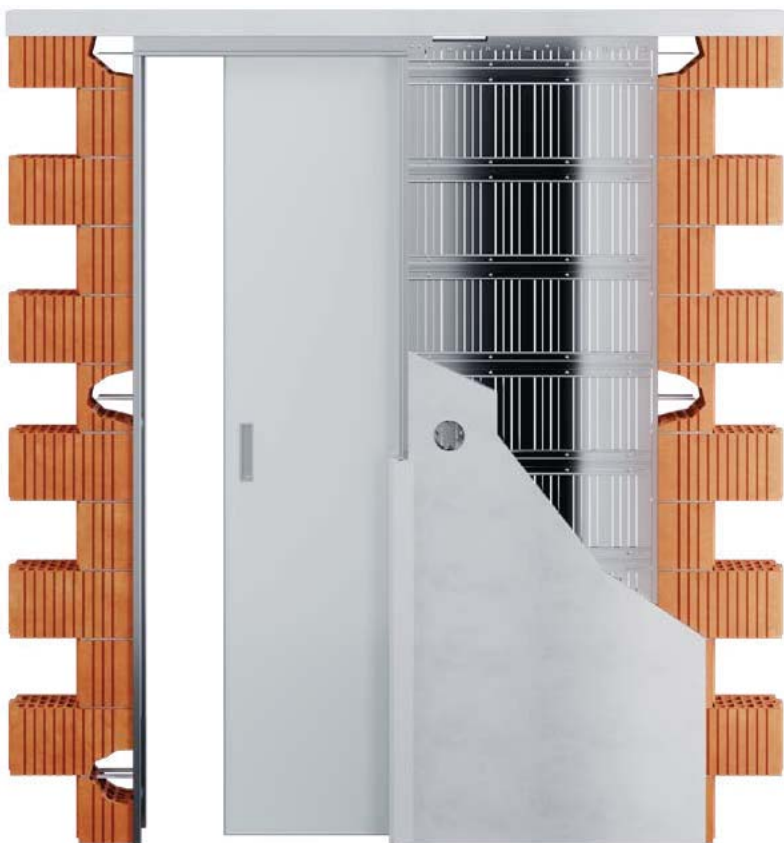


JAPO ∞

THE ONLY POCKET DOORFRAME ON THE MARKET
WITH A LIFETIME WARRANTY

Pocket doorframe allowing electrical routing.
Has internal cable ducts that prevent the electrical installation from colliding with the door leaf.
The maximum depth of the wiring box is 45 mm.

- Minimum thickness of completed partition 150 mm
- For drywall and masonry
- Optional non-standard dimensions to passage height of 2700 mm
- For wooden, all-glass, MASTER DOOR and IDEA DOOR
- Compatible with all door manufacturers
- Maximum weight of one door leaf is 120 kg
- Very quiet travelling mechanism in a special aluminium moulding
- Removable upper rails
- Adjustable front stop (rear stop installed during production)
- Optional damping stop for gradual closing at extra charge
- Switch can be placed on doorframe pocket
- Whole frame made of high-quality galvanized sheet
- Lifetime warranty



Dimensions of pocket doorframe

ELEKTRA STANDARD

All dimensions are in millimetres.

ELEKTRA STANDARD 1970 mm

Height of net passage after installation of mounting panels (J): 1970.

Total height of the pocket doorframe (H): 2071.

Standard height of the door leaf (L): 1985.

Net passage after mounting panels min. (D × J)	Overall dimensions of pocket doorframe (E × H)	Width of metal pocket (A)	Width of passage after installation of pocket doorframe (B)	Standard dimensions of door leaf (C × L)	Dimensions of rough construction opening in drywall	Recommended dimensions for rough structural hole in masonry systems
600 × 1970	1345 × 2071	665	660	650 × 1985	1345 × 2071	1385 × 2091
700 × 1970	1545 × 2071	765	760	750 × 1985	1545 × 2071	1585 × 2091
800 × 1970	1745 × 2071	865	860	850 × 1985	1745 × 2071	1785 × 2091
900 × 1970	1945 × 2071	965	960	950 × 1985	1945 × 2071	1985 × 2091
1000 × 1970	2145 × 2071	1065	1060	1050 × 1985	2145 × 2071	2185 × 2091
1100 × 1970	2345 × 2071	1165	1160	1150 × 1985	2345 × 2071	2385 × 2091
1200 × 1970	2545 × 2071	1265	1260	1250 × 1985	2545 × 2071	2585 × 2091

ELEKTRA STANDARD 2100 mm

Height of net passage after installation of mounting panels (J): 2100.

Total height of the pocket doorframe (H): 2201.

Standard height of the door leaf (L): 2115.

Net passage after mounting panels min. (D × J)	Overall dimensions of pocket doorframe (E × H)	Width of metal pocket (A)	Width of passage after installation of pocket doorframe (B)	Standard dimensions of door leaf (C × L)	Dimensions of rough construction opening in drywall	Recommended dimensions for rough structural hole in masonry systems
600 × 2100	1345 × 2201	665	660	650 × 2115	1345 × 2201	1385 × 2221
700 × 2100	1545 × 2201	765	760	750 × 2115	1545 × 2201	1585 × 2221
800 × 2100	1745 × 2201	865	860	850 × 2115	1745 × 2201	1785 × 2221
900 × 2100	1945 × 2201	965	960	950 × 2115	1945 × 2201	1985 × 2221
1000 × 2100	2145 × 2201	1065	1060	1050 × 2115	2145 × 2201	2185 × 2221
1100 × 2100	2345 × 2201	1165	1160	1150 × 2115	2345 × 2201	2385 × 2221
1200 × 2100	2545 × 2201	1265	1260	1250 × 2115	2545 × 2201	2585 × 2221

A – width of sheet metal pocket

B – width of passage after installation of pocket doorframe

C – standard width of door leaf

D – width of net passage after installation of mounting panels

E – total width of pocket doorframe

F – maximum thickness of door leaf

G – internal dimensions of frame

H – total height of pocket doorframe

I – floor–rail height (verification of positioning on the finished floor)

J – height of net passage after installation of mounting panels

K – external dimensions of pocket doorframe

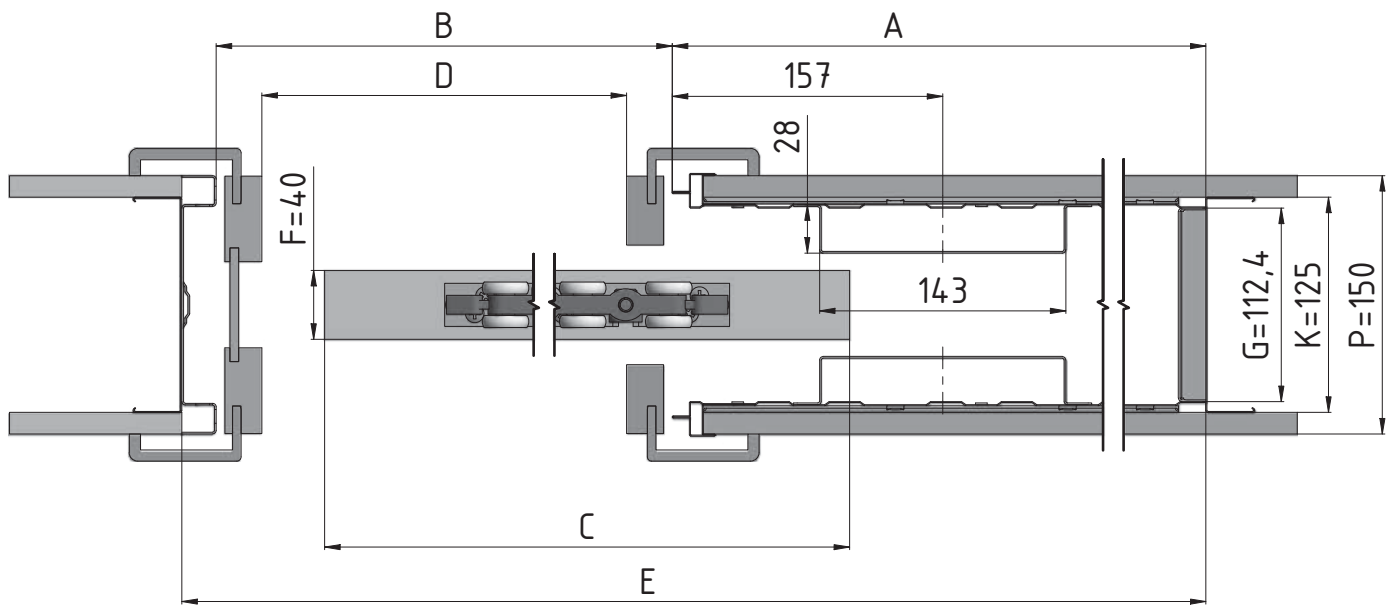
L – standard height of door leaf

P – minimum thickness of finished partition

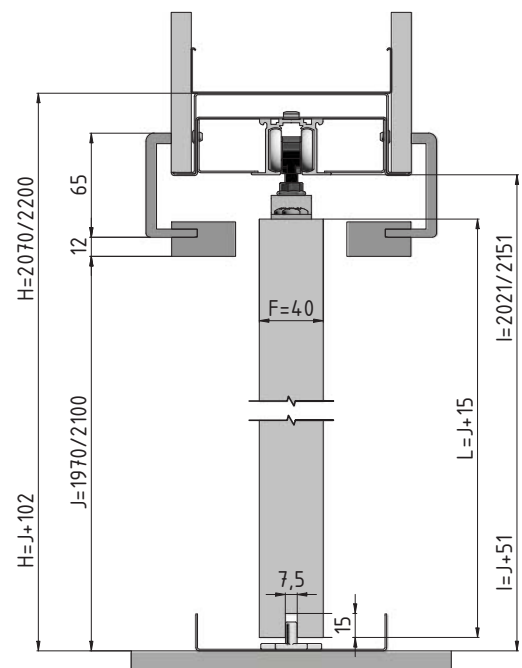
DATA NECESSARY FOR ORDERING NORMA STANDARD POCKET DOORFRAME

- Clear passage dimensions: D × J
- Partition type: Drywall × masonry
- Thickness of pocket doorframe and finished partition

- Outer thickness (K) of the ELEKTRA STANDARD pocket doorframe is 125 mm = finished partition is 150 mm.
- Clearance of pocket doorframe (G) = 112.4 mm.
- Recommended dimensions for rough construction opening for drywall match the dimensions of the pocket doorframe E x H with the option of moving the mesh of CW or UA profile — profile striking the casing.



Horizontal cross-section of ELEKTRA STANDARD pocket doorframe with a wooden door leaf 40 mm thick.



Vertical cross-section of ELEKTRA STANDARD pocket doorframe with a wooden door leaf 40 mm thick.

Accessories for pocket doorframes

ELEKTRA STANDARD

All accessories and joining material included.

INCLUDED IN THE PACKAGE

Set of travelling mechanisms

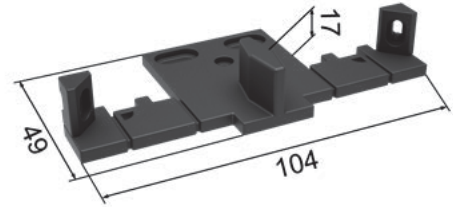
1 rail add-on



2 door racks



1 guide pin



2 stops



2 carriages



ACCESSORIES AT EXTRA CHARGE

Soft closing mechanism for wooden (≤ 60 kg) + activator

1 soft closing mechanism

1 activator



Soft closing mechanism for glass door (60–85 kg) + activator

1 soft closing mechanism

1 activator



Soft closing mechanism for glass door (85–120 kg) + activator

1 soft closing mechanism

1 activator

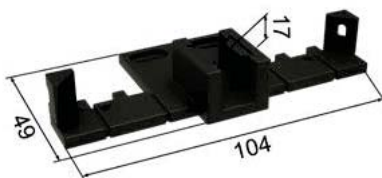


- To damp both sides, two single-sided damping systems must be used.

Set of fixtures for Vetro 22 glass door leaf with guide

2 Vetros

1 guide pin



DATA NECESSARY FOR ORDERING INSTALLATION PACKAGES FOR NORMA STANDARD POCKET DOORFRAME

- Net passage dimensions of pocket doorframe
- Weight of door leaf

Pocket doorframe ELEKTRA KOMFORT

ELEKTRA KOMFORT pocket doorframe



JAP ∞

THE ONLY POCKET DOORFRAME ON THE MARKET
WITH A LIFETIME WARRANTY

Pocket doorframe allowing electrical routing.
Has internal cable ducts that prevent the electrical installation from colliding with the door leaf.

- The maximum depth of the wiring box is 45 mm.
- Minimum thickness of completed partition 150 mm
- For drywall and masonry ● Optional non-standard dimensions to passage height of 2400 mm ● For wooden, all-glass, MASTER DOOR and IDEA DOOR ● Compatible with all door manufacturers ● Maximum weight of one door leaf is 120 kg
- Very quiet travelling mechanism in a special aluminium moulding ● Removable upper rails ● Adjustable front stop (rear stop installed during production) ● Optional damping stop for gradual closing at extra charge ● Switch can be placed on doorframe pocket ● Whole frame made of high-quality galvanized sheet ● Lifetime warranty



Dimensions of pocket doorframe

ELEKTRA KOMFORT

All dimensions are in millimetres.

ELEKTRA KOMFORT 1970 mm

Height of net passage after installation of mounting panels (J): 1970.

Total height of the pocket doorframe (H): 2071.

Standard height of the door leaf (L): 1985.

Net passage after mounting panels min. (D × J)	Overall dimensions of pocket doorframe (E × H)	Width of metal pocket (A)	Width of passage after installation of pocket doorframe (B)	Standard dimensions of door leaf (C × L)	Dimensions of rough construction opening in drywall	Recommended dimensions for rough structural hole in masonry systems
1250 × 1970	2640 × 2071	2 × 665	1310	(2 × 650) × 1985	2640 × 2071	2680 × 2091
1450 × 1970	3040 × 2071	2 × 765	1510	(2 × 750) × 1985	3040 × 2071	3080 × 2091
1650 × 1970	3440 × 2071	2 × 865	1710	(2 × 850) × 1985	3440 × 2071	3480 × 2091
1850 × 1970	3840 × 2071	2 × 966	1910	(2 × 950) × 1985	3840 × 2071	3880 × 2091
2050 × 1970	4240 × 2071	2 × 1065	2110	(2 × 1050) × 1985	4240 × 2071	4280 × 2091
2250 × 1970	4640 × 2071	2 × 1165	2310	(2 × 1150) × 1985	4640 × 2071	4680 × 2091
2450 × 1970	5040 × 2071	2 × 1265	2510	(2 × 1250) × 1985	5040 × 2071	5080 × 2091

ELEKTRA KOMFORT 2100 mm

Height of net passage after installation of mounting panels (J): 2100.

Total height of the pocket doorframe (H): 2201.

Standard height of the door leaf (L): 2115.

Net passage after mounting panels min. (D × J)	Overall dimensions of pocket doorframe (E × H)	Width of metal pocket (A)	Width of passage after installation of pocket doorframe (B)	Standard dimensions of door leaf (C × L)	Dimensions of rough construction opening in drywall	Recommended dimensions for rough structural hole in masonry systems
1250 × 2100	2640 × 2201	2 × 665	1310	(2 × 650) × 2115	2640 × 2201	2680 × 2221
1450 × 2100	3040 × 2201	2 × 765	1510	(2 × 750) × 2115	3040 × 2201	3080 × 2221
1650 × 2100	3440 × 2201	2 × 865	1710	(2 × 850) × 2115	3440 × 2201	3480 × 2221
1850 × 2100	3840 × 2201	2 × 966	1910	(2 × 950) × 2115	3840 × 2201	3880 × 2221
2050 × 2100	4240 × 2201	2 × 1065	2110	(2 × 1050) × 2115	4240 × 2201	4280 × 2221
2250 × 2100	4640 × 2201	2 × 1165	2310	(2 × 1150) × 2115	4640 × 2201	4680 × 2221
2450 × 2100	5040 × 2201	2 × 1265	2510	(2 × 1250) × 2115	5040 × 2201	5080 × 2221

A – width of sheet metal pocket

B – width of passage after installation of pocket doorframe

C – standard width of door leaf

D – width of net passage after installation of mounting panels

E – total width of pocket doorframe

F – maximum thickness of door leaf

G – internal dimensions of frame

H – total height of pocket doorframe

I – floor–rail height (verification of positioning on the finished floor)

J – height of net passage after installation of mounting panels

K – external dimensions of pocket doorframe

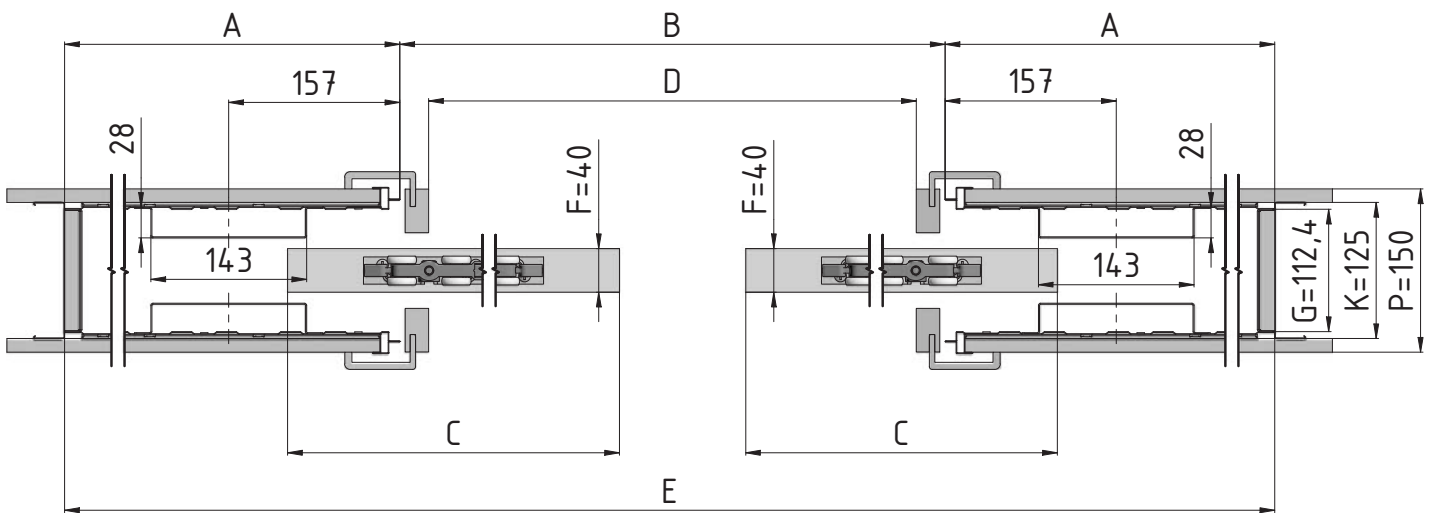
L – standard height of door leaf

P – minimum thickness of finished partition

DATA NECESSARY FOR ORDERING NORMA STANDARD POCKET DOORFRAME

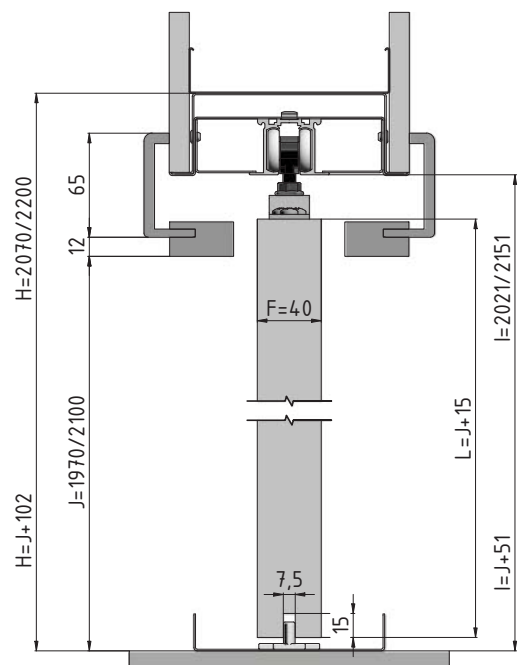
- Clear passage dimensions: D × J
- Partition type: Drywall × masonry
- Thickness of pocket doorframe and finished partition

- Outer thickness (K) of the ELEKTRA KOMFORT pocket doorframe is 125 mm = finished partition is 150 mm.
- Clearance of pocket doorframe (G) = 112.4 mm.
- Recommended dimensions for rough construction opening for drywall match the dimensions of the pocket doorframe E x H with the option of moving the mesh of CW or UA profile — profile striking the casing.



Horizontal cross-section of ELEKTRA KOMFORT pocket doorframe with a wooden door leaf 40 mm thick.

Vertical cross-section of a ELEKTRA KOMFORT pocket doorframe with a wooden door leaf 40 mm thick.



Accessories for pocket doorframes

ELEKTRA KOMFORT

All accessories and joining material included.

INCLUDED IN THE PACKAGE

Set of travelling mechanisms

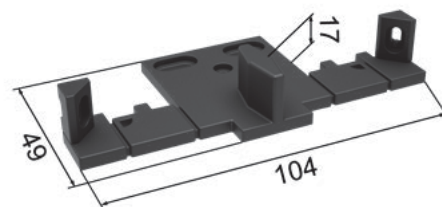
1 rail add-on



4 door racks



2 guide pins



4 stops



4 carriages



ACCESSORIES FREE OF CHARGE

Synchronizing mechanism package

1 bracket with slots



1 steel cable



2 pulleys



2 synchro washers



1 spring



1 clamp



ACCESSORIES AT EXTRA CHARGE

Soft closing mechanism for wooden (≤ 60 kg) + activator

2 soft closing mechanisms

2 activators



Soft closing mechanism for glass door (60–85 kg) + activator

2 soft closing mechanisms

2 activators



Soft closing mechanism for glass door (85–120 kg) + activator

2 soft closing mechanisms

2 activators

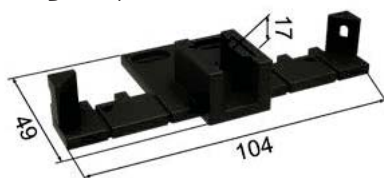


- To damp both sides, two single-sided damping systems must be used.

Set of fixtures for Vetro 22 glass door leaf with guide

4 Vetros

2 guide pins



DATA NECESSARY FOR ORDERING SOFT CLOSING MECHANISM FOR ELEKTRA KOMFORT POCKET DOORFRAME

- Clear passage dimensions of pocket doorframe
- Weight of door leaf

Pocket doorframe ATLAS STANDARD / KOMFORT

ATLAS STANDARD pocket door frame

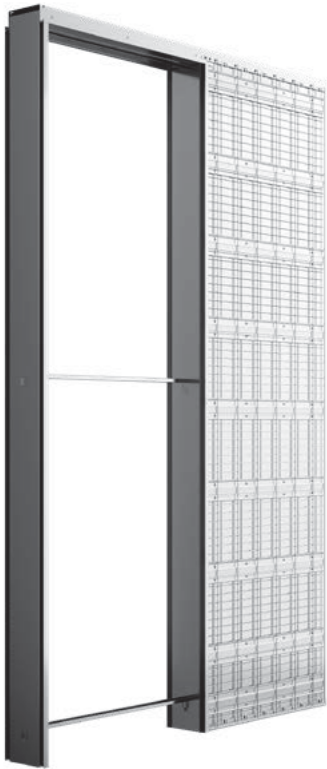


JAP ∞

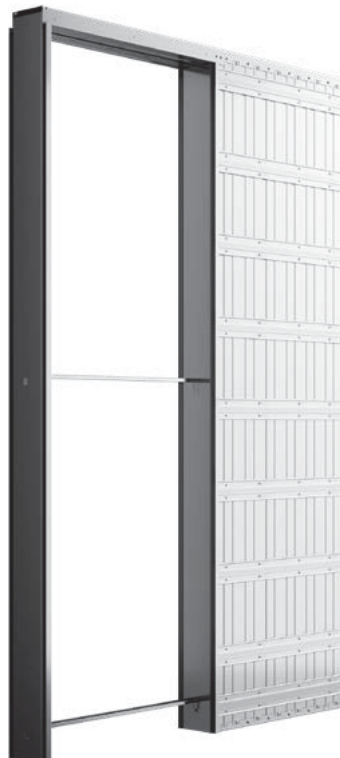
THE ONLY POCKET DOORFRAME ON THE MARKET
WITH A LIFETIME WARRANTY

ATLAS STANDARD

MASONRY



DRYWALL



BENCHMARK



Pocket doorframe ATLAS STANDARD

ATLAS STANDARD pocket door frame

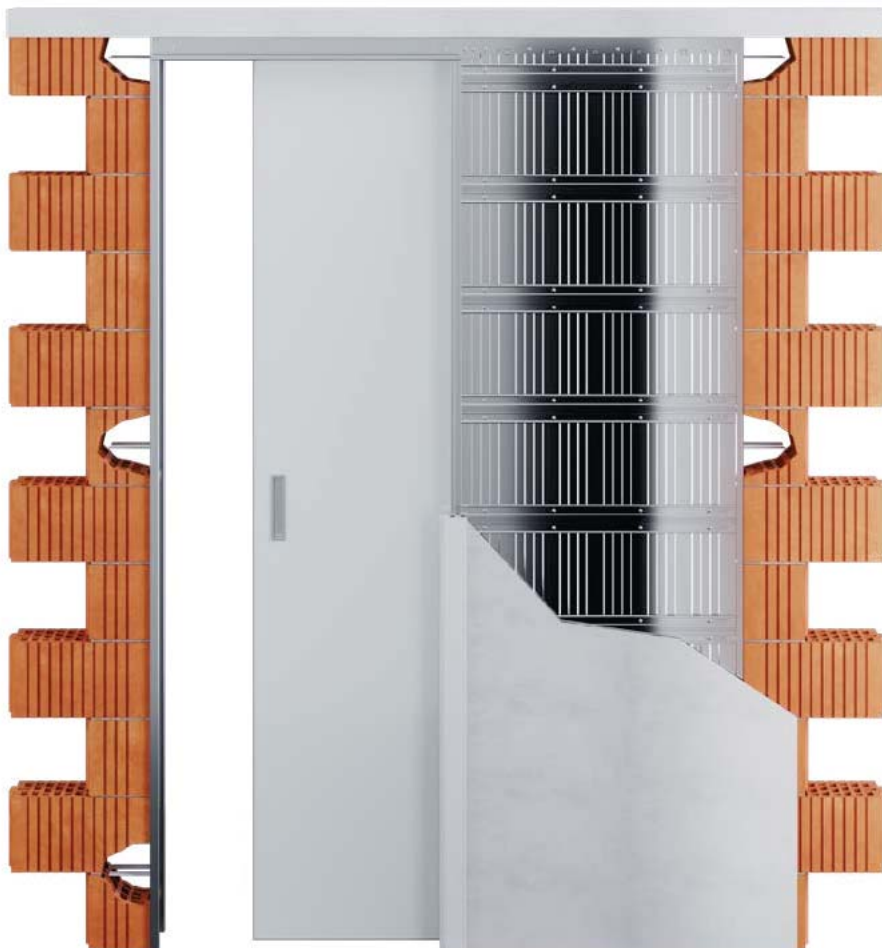


JAP ∞

THE ONLY POCKET DOORFRAME ON THE MARKET
WITH A LIFETIME WARRANTY

Pocket doorframe allowing suspension of load-bearing elements. Minimum thickness of completed partition 150 mm.

- For drywall and masonry
- Optional non-standard dimensions to passage height of 2400 mm
- For wooden, all-glass, MASTER DOOR and IDEA DOOR
- Compatible with all door manufacturers
- Maximum weight of one door leaf is 120 kg
- Very quiet travelling mechanism in a special aluminium moulding
- Removable upper rails
- Adjustable front stop (rear stop installed during production)
- Optional damping stop for gradual closing at extra charge
- Whole frame made of high-quality galvanized sheet
- Lifetime warranty



Dimensions of pocket doorframe

ATLAS STANDARD

All dimensions are in millimetres.

ATLAS STANDARD 1970 mm

Height of net passage after installation of mounting panels (J): 1970.

Total height of the pocket doorframe (H): 2071.

Standard height of the door leaf (L): 1985.

Net passage after mounting panels min. (D × J)	Overall dimensions of pocket doorframe (E × H)	Width of metal pocket (A)	Width of passage after installation of pocket doorframe (B)	Standard dimensions of door leaf (C × L)	Dimensions of rough construction opening in drywall	Recommended dimensions for rough structural hole in masonry systems
600 × 1970	1345 × 2071	665	660	650 × 1985	1345 × 2071	1385 × 2091
700 × 1970	1545 × 2071	765	760	750 × 1985	1545 × 2071	1585 × 2091
800 × 1970	1745 × 2071	865	860	850 × 1985	1745 × 2071	1785 × 2091
900 × 1970	1945 × 2071	965	960	950 × 1985	1945 × 2071	1985 × 2091
1000 × 1970	2145 × 2071	1065	1060	1050 × 1985	2145 × 2071	2185 × 2091
1100 × 1970	2345 × 2071	1165	1160	1150 × 1985	2345 × 2071	2385 × 2091
1200 × 1970	2545 × 2071	1265	1260	1250 × 1985	2545 × 2071	2585 × 2091

ATLAS STANDARD 2100 mm

Height of net passage after installation of mounting panels (J): 2100.

Total height of the pocket doorframe (H): 2201.

Standard height of the door leaf (L): 2115.

Net passage after mounting panels min. (D × J)	Overall dimensions of pocket doorframe (E × H)	Width of metal pocket (A)	Width of passage after installation of pocket doorframe (B)	Standard dimensions of door leaf (C × L)	Dimensions of rough construction opening in drywall	Recommended dimensions for rough structural hole in masonry systems
600 × 2100	1345 × 2201	665	660	650 × 2115	1345 × 2201	1385 × 2221
700 × 2100	1545 × 2201	765	760	750 × 2115	1545 × 2201	1585 × 2221
800 × 2100	1745 × 2201	865	860	850 × 2115	1745 × 2201	1785 × 2221
900 × 2100	1945 × 2201	965	960	950 × 2115	1945 × 2201	1985 × 2221
1000 × 2100	2145 × 2201	1065	1060	1050 × 2115	2145 × 2201	2185 × 2221
1100 × 2100	2345 × 2201	1165	1160	1150 × 2115	2345 × 2201	2385 × 2221
1200 × 2100	2545 × 2201	1265	1260	1250 × 2115	2545 × 2201	2585 × 2221

A – width of sheet metal pocket

B – width of passage after installation of pocket doorframe

C – standard width of door leaf

D – width of net passage after installation of mounting panels

E – total width of pocket doorframe

F – maximum thickness of door leaf

G – internal dimensions of frame

H – total height of pocket doorframe

I – floor–rail height (verification of positioning on the finished floor)

J – height of net passage after installation of mounting panels

K – external dimensions of pocket doorframe

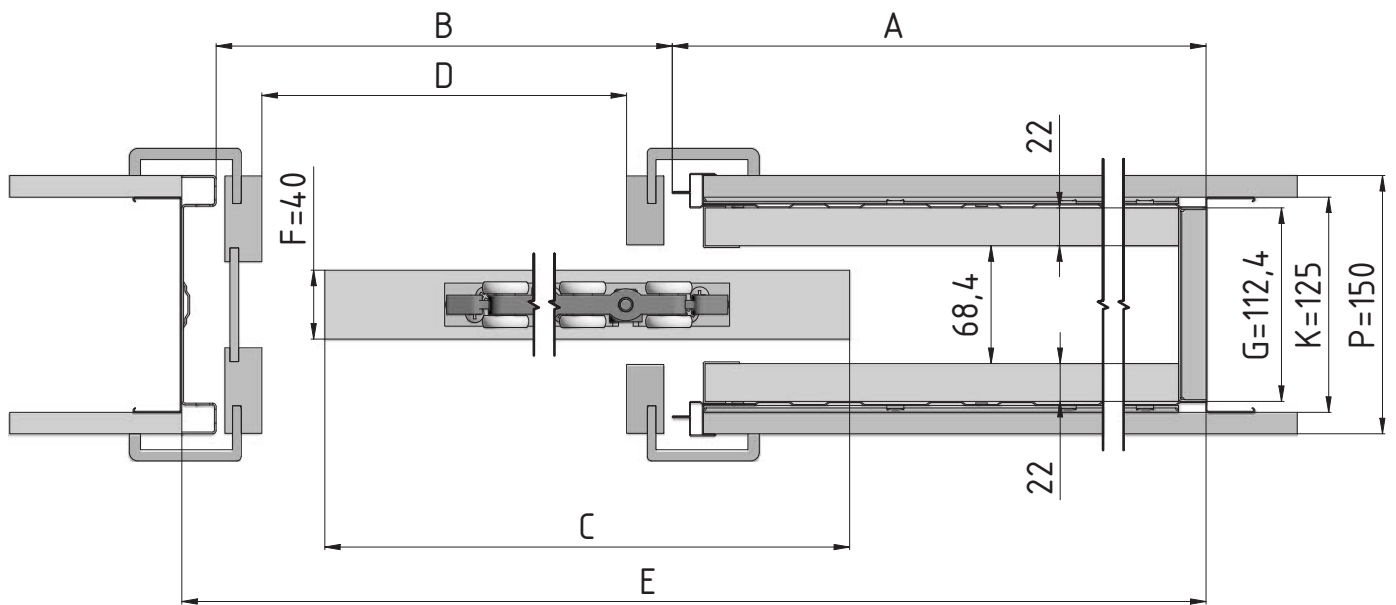
L – standard height of door leaf

P – minimum thickness of finished partition

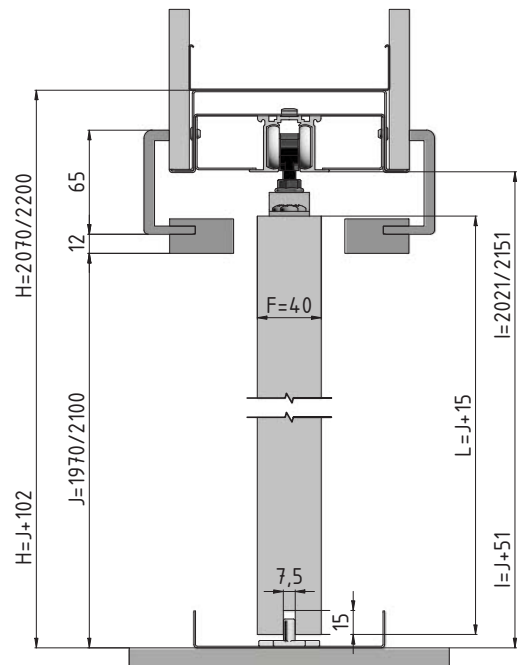
DATA NECESSARY FOR ORDERING NORMA STANDARD POCKET DOORFRAME

- Clear passage dimensions: D × J
- Partition type: Drywall × masonry
- Thickness of pocket doorframe and finished partition

- Outer thickness (K) of the ATLAS STANDARD pocket doorframe is 125 mm = finished partition is 150 mm.
- Clearance of pocket doorframe (G) = 112.4 mm.
- Recommended dimensions for rough construction opening for drywall match the dimensions of the pocket doorframe E x H with the option of moving the mesh of CW or UA profile — profile striking the casing.



Horizontal cross-section of ATLAS STANDARD pocket doorframe with a wooden door leaf 40 mm thick.



Vertical cross-section of ATLAS STANDARD pocket with wooden door leaf 40 mm thick.

Accessories for pocket doorframes ATLAS STANDARD

All accessories and joining material included.

INCLUDED IN THE PACKAGE

Set of travelling mechanisms

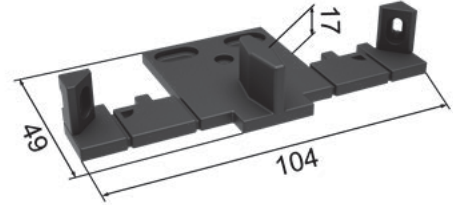
1 rail add-on



2 door racks



1 guide pin



2 stops



2 carriages



ACCESSORIES AT EXTRA CHARGE

Soft closing mechanism for wooden (≤ 60 kg) + activator

1 soft closing mechanism

1 activator



Soft closing mechanism for glass door (60–85 kg) + activator

1 soft closing mechanism

1 activator



Soft closing mechanism for glass door (85–120 kg) + activator

1 soft closing mechanism

1 activator

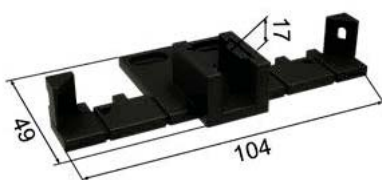


- To damp both sides, two single-sided damping systems must be used.

Set of fixtures for Vetro 22 glass door leaf with guide

2 Vetros

1 guide pin



DATA NECESSARY FOR ORDERING INSTALLATION PACKAGES FOR ATLAS STANDARD POCKET DOORFRAME

- Net passage dimensions of pocket doorframe
- Weight of door leaf

Pocket doorframe ATLAS KOMFORT

ATLAS KOMFORT pocket door frame



JAP ∞

THE ONLY POCKET DOORFRAME ON THE MARKET
WITH A LIFETIME WARRANTY

Pocket doorframe allowing suspension of load-bearing elements. Minimum thickness of completed partition 150 mm.

- For drywall and masonry
- Optional non-standard dimensions to passage height of 2400 mm
- For wooden, all-glass, MASTER DOOR and IDEA DOOR
- Compatible with all door manufacturers
- Maximum weight of one door leaf is 120 kg
- Very quiet travelling mechanism in a special aluminium moulding
- Removable upper rails
- Adjustable front stop (rear stop installed during production)
- Optional damping stop for gradual closing at extra charge
- Whole frame made of high-quality galvanized sheet
- Lifetime warranty



Dimensions of pocket doorframe

ATLAS KOMFORT

All dimensions are in millimetres.

ATLAS KOMFORT 1970 mm

Height of net passage after installation of mounting panels (J): 1970.

Total height of the pocket doorframe (H): 2071.

Standard height of the door leaf (L): 1985.

Net passage after mounting panels min. (D × J)	Overall dimensions of pocket doorframe (E × H)	Width of metal pocket (A)	Width of passage after installation of pocket doorframe (B)	Standard dimensions of door leaf (C × L)	Dimensions of rough construction opening in drywall	Recommended dimensions for rough structural hole in masonry systems
1250 × 1970	2640 × 2071	2 × 665	1310	(2 × 650) × 1985	2640 × 2071	2680 × 2091
1450 × 1970	3040 × 2071	2 × 765	1510	(2 × 750) × 1985	3040 × 2071	3080 × 2091
1650 × 1970	3440 × 2071	2 × 865	1710	(2 × 850) × 1985	3440 × 2071	3480 × 2091
1850 × 1970	3840 × 2071	2 × 966	1910	(2 × 950) × 1985	3840 × 2071	3880 × 2091
2050 × 1970	4240 × 2071	2 × 1065	2110	(2 × 1050) × 1985	4240 × 2071	4280 × 2091
2250 × 1970	4640 × 2071	2 × 1165	2310	(2 × 1150) × 1985	4640 × 2071	4680 × 2091
2450 × 1970	5040 × 2071	2 × 1265	2510	(2 × 1250) × 1985	5040 × 2071	5080 × 2091

ATLAS KOMFORT 2100 mm

Height of net passage after installation of mounting panels (J): 2100.

Total height of the pocket doorframe (H): 2201.

Standard height of the door leaf (L): 2115.

Net passage after mounting panels min. (D × J)	Overall dimensions of pocket doorframe (E × H)	Width of metal pocket (A)	Width of passage after installation of pocket doorframe (B)	Standard dimensions of door leaf (C × L)	Dimensions of rough construction opening in drywall	Recommended dimensions for rough structural hole in masonry systems
1250 × 2100	2640 × 2201	2 × 665	1310	(2 × 650) × 2115	2640 × 2201	2680 × 2221
1450 × 2100	3040 × 2201	2 × 765	1510	(2 × 750) × 2115	3040 × 2201	3080 × 2221
1650 × 2100	3440 × 2201	2 × 865	1710	(2 × 850) × 2115	3440 × 2201	3480 × 2221
1850 × 2100	3840 × 2201	2 × 966	1910	(2 × 950) × 2115	3840 × 2201	3880 × 2221
2050 × 2100	4240 × 2201	2 × 1065	2110	(2 × 1050) × 2115	4240 × 2201	4280 × 2221
2250 × 2100	4640 × 2201	2 × 1165	2310	(2 × 1150) × 2115	4640 × 2201	4680 × 2221
2450 × 2100	5040 × 2201	2 × 1265	2510	(2 × 1250) × 2115	5040 × 2201	5080 × 2221

A – width of sheet metal pocket

B – width of passage after installation of pocket doorframe

C – standard width of door leaf

D – width of net passage after installation of mounting panels

E – total width of pocket doorframe

F – maximum thickness of door leaf

G – internal dimensions of frame

H – total height of pocket doorframe

I – floor–rail height (verification of positioning on the finished floor)

J – height of net passage after installation of mounting panels

K – external dimensions of pocket doorframe

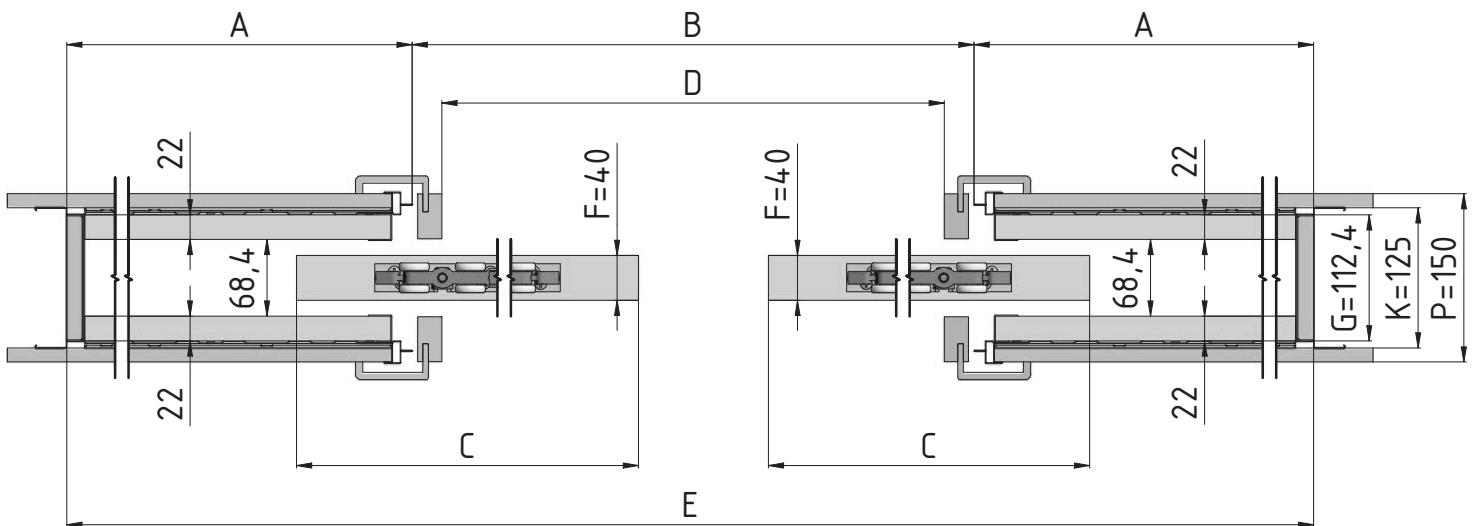
L – standard height of door leaf

P – minimum thickness of finished partition

DATA NECESSARY FOR ORDERING NORMA STANDARD POCKET DOORFRAME

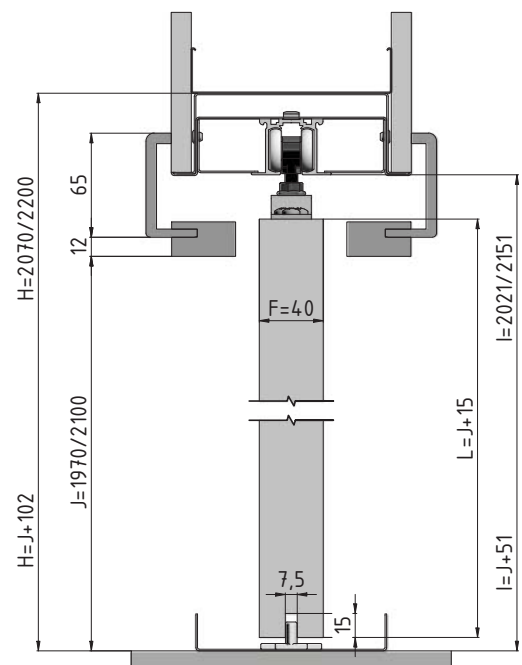
- Clear passage dimensions: D × J
- Partition type: Drywall × masonry
- Thickness of pocket doorframe and finished partition

- Outer thickness (K) of the ATLAS KOMFORT pocket doorframe is 125 mm = finished partition is 150 mm.
- Clearance of pocket doorframe (G) = 112.4 mm.
- Recommended dimensions for rough construction opening for drywall match the dimensions of the pocket doorframe E x H with the option of moving the mesh of CW or UA profile — profile striking the casing.



Horizontal cross-section of ATLAS KOMFORT pocket doorframe with a wooden door leaf 40 mm thick.

Vertical cross-section of ATLAS KOMFORT pocket doorframe with a wooden door leaf 40 mm thick.



Accessories for pocket doorframes

ATLAS KOMFORT

All accessories and joining material included.

INCLUDED IN THE PACKAGE

Set of travelling mechanisms

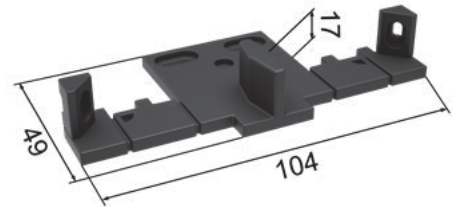
1 rail add-on



4 door racks



2 guide pins



4 stops



4 carriages



ACCESSORIES FREE OF CHARGE

Synchronizing mechanism package

1 bracket with slots



1 steel cable



2 pulleys



2 synchro washers



1 spring



1 clamp



ACCESSORIES AT EXTRA CHARGE

Soft closing mechanism for wooden (≤ 60 kg) + activator

2 soft closing mechanisms

2 activators



Soft closing mechanism for glass door (60–85 kg) + activator

2 soft closing mechanisms

2 activators



Soft closing mechanism for glass door (85–120 kg) + activator

2 soft closing mechanisms

2 activators

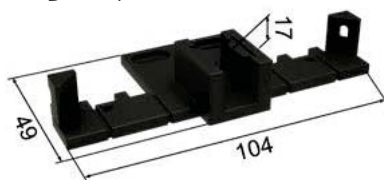


- To damp both sides, two single-sided damping systems must be used.

Set of fixtures for Vetro 22 glass door leaf with guide

4 Vetros

2 guide pins



DATA NECESSARY FOR ORDERING SOFT CLOSING MECHANISM FOR NORMA KOMFORT POCKET DOORFRAME

- Clear passage dimensions of pocket doorframe
- Weight of door leaf

Pocket doorframe PURE STANDARD

PURE STANDARD pocket door frame



JAP ∞

THE ONLY POCKET DOORFRAME ON THE MARKET
WITH A LIFETIME WARRANTY

For single-leaf sliding doors. The whole frame is made of high-quality galvanized sheet metal.

- Non-standard pocket doorframe for large passages
- Clearance height to 2700 mm ● Clearance width to 2000 mm
- Specific installation into prepared construction opening ● For drywall and masonry ● For masonry partitions, the opening must be fitted with a lintel – the pocket doorframe cannot bear a load ● For completed wall partitions 150 mm thick ● For wooden, all-glass, MASTER DOOR and IDEA DOOR ● Compatible with all door manufacturers ● Maximum weight of one door leaf is 120 kg ● Very quiet travelling mechanism in a special aluminium moulding ● Adjustable front stop
- Switch can be placed on doorframe pocket ● Rails on Pure doorframe are not removable ● Only single-leaf version available ● Lifetime warranty



Dimensions of pocket doorframe

PURE STANDARD

All dimensions are in millimetres.

Maximum thickness of door leaf (F) for K 150: 45.

PURE STANDARD

Height of net passage after installation of mounting panels (J): 2700.

Total height of the pocket doorframe (H): 2800.

Standard height of the door leaf (L): 2715.

Net passage after mounting panels min. (D × J)	Overall dimensions of pocket doorframe (E × H)	Width of metal pocket (A)	Width of passage after installation of pocket doorframe (B)	Standard dimensions of door leaf (C × L)	Dimensions of rough construction opening in drywall	Recommended dimensions for rough structural hole in masonry systems
2000 × 2700	4100 × 2800	2040	2060	2050 × 2715	4100 × 2800	4100 × 2800

A – width of sheet metal pocket

B – width of passage after installation of pocket doorframe

C – standard width of door leaf

D – width of net passage after installation of mounting panels

E – total width of pocket doorframe

F – maximum thickness of door leaf

G – internal dimensions of frame

H – total height of pocket doorframe

I – floor–rail height (verification of positioning on the finished floor)

J – height of net passage after installation of mounting panels

K – external dimensions of pocket doorframe

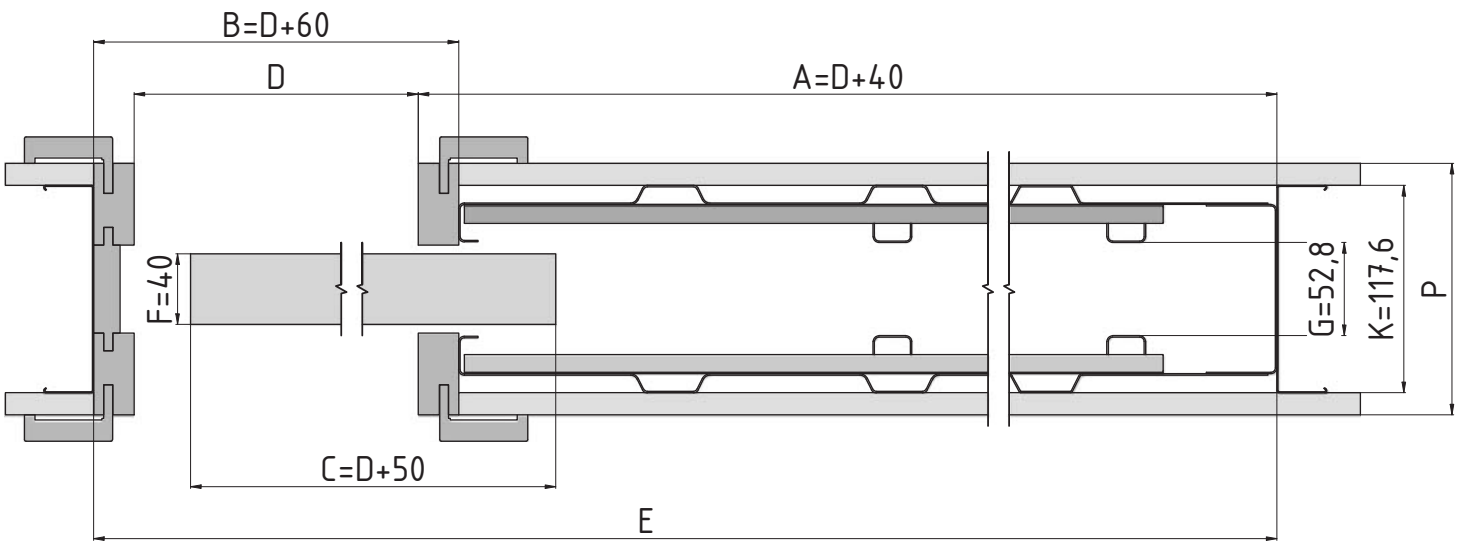
L – standard height of door leaf

P – minimum thickness of finished partition

DATA NECESSARY FOR ORDERING NORMA STANDARD POCKET DOORFRAME

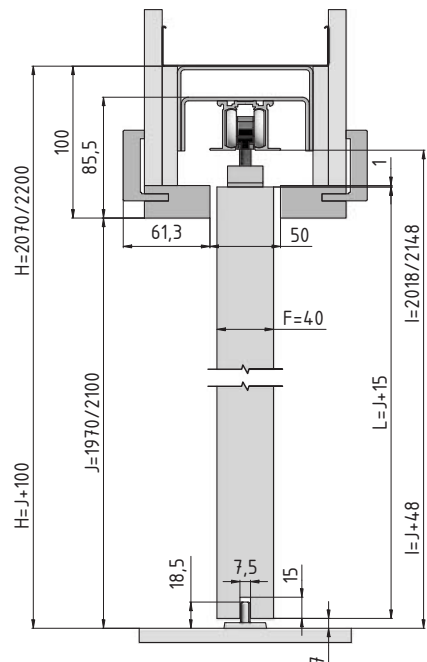
- Clear passage dimensions: D × J
- Partition type: Drywall × masonry
- Thickness of pocket doorframe and finished partition

- The PURE STANDARD pocket doorframe is delivered with custom dimensions — from a passage width of 1250 mm.
- The table shows an example of the maximum possible pocket doorframe dimensions, other dimensions are calculated.
- External thickness (K) of PURE STANDARD pocket 117.6 mm = completed partition 150 mm. Clearance of pocket doorframe = 52.8.
- Recommended dimensions for rough structural opening for drywall and masonry match the dimensions of the pocket doorframe E x H with the option of moving the mesh of CW or UA profile — profile striking the casing.



Horizontal cross-section of the PURE STANDARD pocket doorframe with wooden door leaf 40 mm thick.

Vertical cross-section of PURE STANDARD pocket with wooden door leaf 40 mm thick



Accessories for pocket doorframes

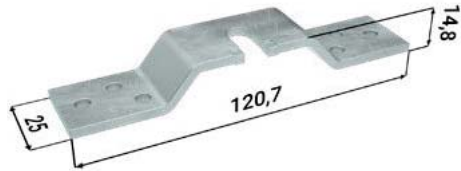
PURE STANDARD

All accessories and joining material included.

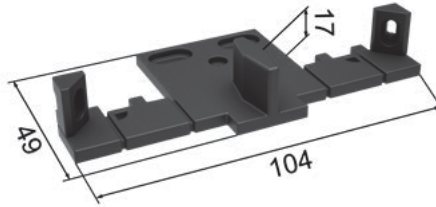
INCLUDED IN THE PACKAGE

Set of travelling mechanisms

2 door racks



1 guide pin



2 stops



2 carriages

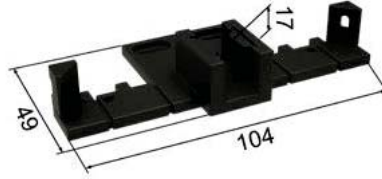


ACCESSORIES AT EXTRA CHARGE

Set of fixtures for Vetro 22 glass door leaf with guide

2 Vetros

2 guide pins



DATA NECESSARY FOR ORDERING INSTALLATION PACKAGES FOR PURE STANDARD POCKET DOORFRAME

- Net passage dimensions of pocket doorframe
- Weight of door leaf

METALO steel mounting panel for NORMA, LATENTE AND PROFIKIT pocket doorframes

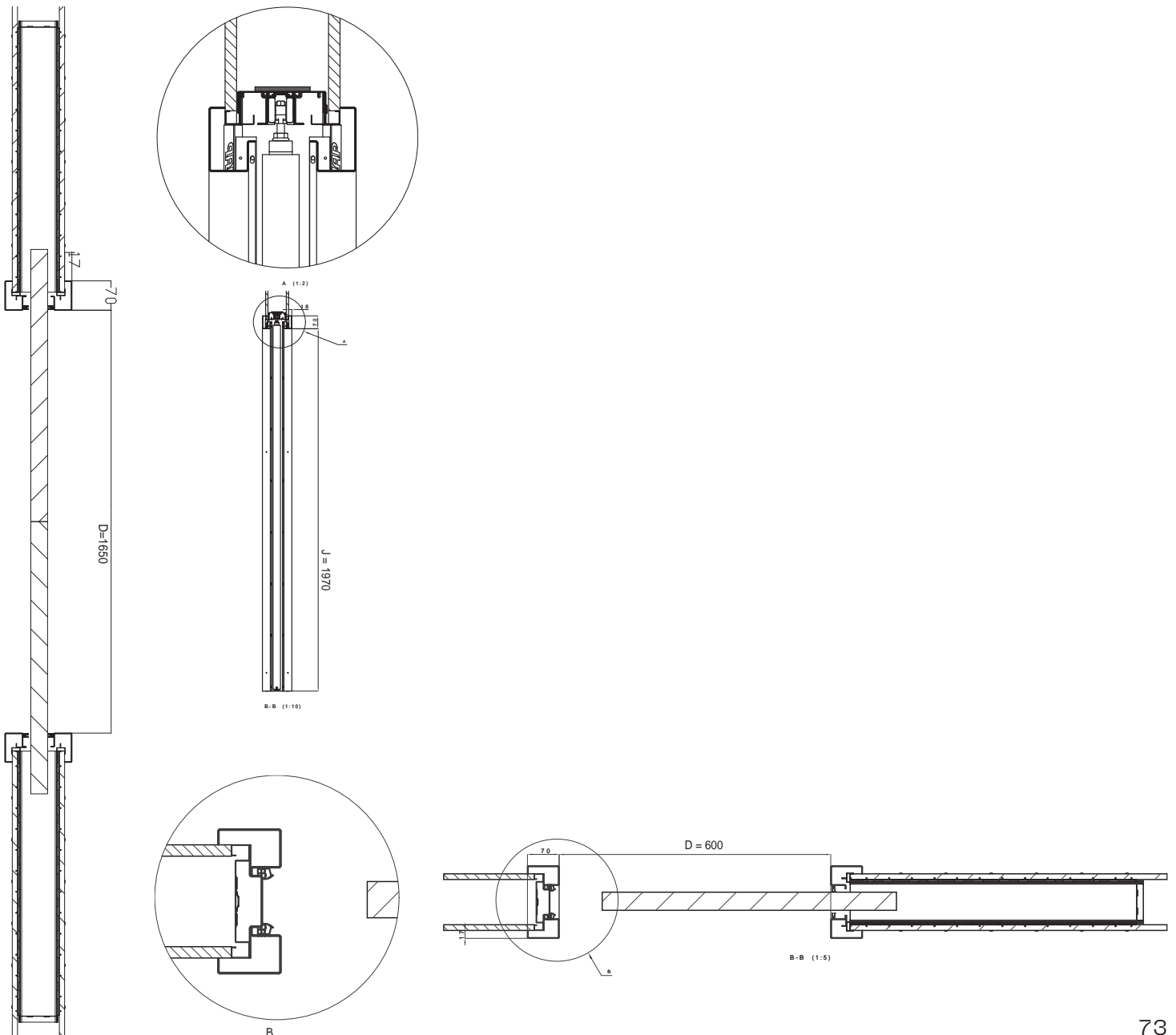
METALO steel mounting panel



Additional assemblable steel mounting panel for NORMA, LATENTE or PROFIKIT frames. The mounting panel is suitable for loading and commercial spaces. Suitable primarily for production halls, hospitals, and retirement homes.

The doorframes are made of steel, with optional painting from the RAL, K7 or NCS swatch books. Single-leaf and double-leaf version.

D – Width of net passage after installation of mounting panels
 J – Height of net passage after installation of mounting panels



Pocket doorframes

PROFIKIT STANDARD / KOMFORT

PROFIKIT STANDARD pocket doorframe



JAP ∞

THE ONLY POCKET DOORFRAME ON THE MARKET
WITH A LIFETIME WARRANTY

PROFIKIT STANDARD



PROFIKIT KOMFORT



Detail of an inserted web leg and door header



Insertion of the brace



Detail of web leg



KOMFORT door header connection



Pocket doorframe PROFIKIT STANDARD

PROFIKIT STANDARD pocket doorframe



JAP ∞

THE ONLY POCKET DOORFRAME ON THE MARKET
WITH A LIFETIME WARRANTY

This model is a type of folding pocket for single-leaf sliding doors and is intended for installing mounting panel doorframes. Pocket doorframe only for drywall partitions.

- The PROFIKIT frame is only made to standard dimensions
- For wooden, all-glass, MASTER DOOR and IDEA DOOR
- Maximum weight of one door leaf is 60 kg
- Compatible with all door manufacturers
- The pocket doorframe cannot bear a load
- Removable upper rails
- Adjustable front and rear stop
- Optional damping stop for gradual closing at extra charge
- Takes 6 times less space than ordinary pocket doorframes when storing and transporting
- Better handling on the construction site (loading, unloading, transferring)
- Lifetime warranty



Dimensions of pocket doorframe

PROFIKIT STANDARD

All dimensions are in millimetres.

Maximum thickness of door leaf (F) for K 100: 65.

Maximum thickness of door leaf (F) for K 75: 40.

PROFIKIT STANDARD 1970 mm

Height of net passage after installation of mounting panels (J): 1970.

Total height of the pocket doorframe (H): 2060.

Standard height of the door leaf (L): 1985.

Net passage after mounting panels min. (D × J)	Overall dimensions of pocket doorframe (E × H)	Width of metal pocket (A)	Width of passage after installation of pocket doorframe (B)	Standard dimensions of door leaf (C × L)	Dimensions of rough construction opening in drywall
600 × 1970	1345 × 2060	650	670	650 × 1985	1345 × 2060
700 × 1970	1545 × 2060	750	770	750 × 1985	1545 × 2060
800 × 1970	1745 × 2060	850	870	850 × 1985	1745 × 2060
900 × 1970	1945 × 2060	950	970	950 × 1985	1945 × 2060
1000 × 1970	2145 × 2060	1050	1070	1050 × 1985	2145 × 2060
1100 × 1970	2345 × 2060	1150	1170	1150 × 1985	2345 × 2060
1200 × 1970	2545 × 2060	1250	1270	1250 × 1985	2545 × 2060

PROFIKIT STANDARD 2100 mm

Height of net passage after installation of mounting panels (J): 2100.

Total height of the pocket doorframe (H): 2190.

Standard height of the door leaf (L): 2115.

Net passage after mounting panels min. (D × J)	Overall dimensions of pocket doorframe (E × H)	Width of metal pocket (A)	Width of passage after installation of pocket doorframe (B)	Standard dimensions of door leaf (C × L)	Dimensions of rough construction opening in drywall
600 × 2100	1345 × 2190	650	670	650 × 2115	1345 × 2190
700 × 2100	1545 × 2190	750	770	750 × 2115	1545 × 2190
800 × 2100	1745 × 2190	850	870	850 × 2115	1745 × 2190
900 × 2100	1945 × 2190	950	970	950 × 2115	1945 × 2190
1000 × 2100	2145 × 2190	1050	1070	1050 × 2115	2145 × 2190
1100 × 2100	2345 × 2190	1150	1170	1150 × 2115	2345 × 2190
1200 × 2100	2545 × 2190	1250	1270	1250 × 2115	2545 × 2190

A – width of sheet metal pocket

B – width of passage after installation of pocket doorframe

C – standard width of door leaf

D – width of net passage after installation of mounting panels

E – total width of pocket doorframe

F – maximum thickness of door leaf

G – internal dimensions of frame

H – total height of pocket doorframe

I – floor–rail height (verification of positioning on the finished floor)

J – height of net passage after installation of mounting panels

K – external dimensions of pocket doorframe

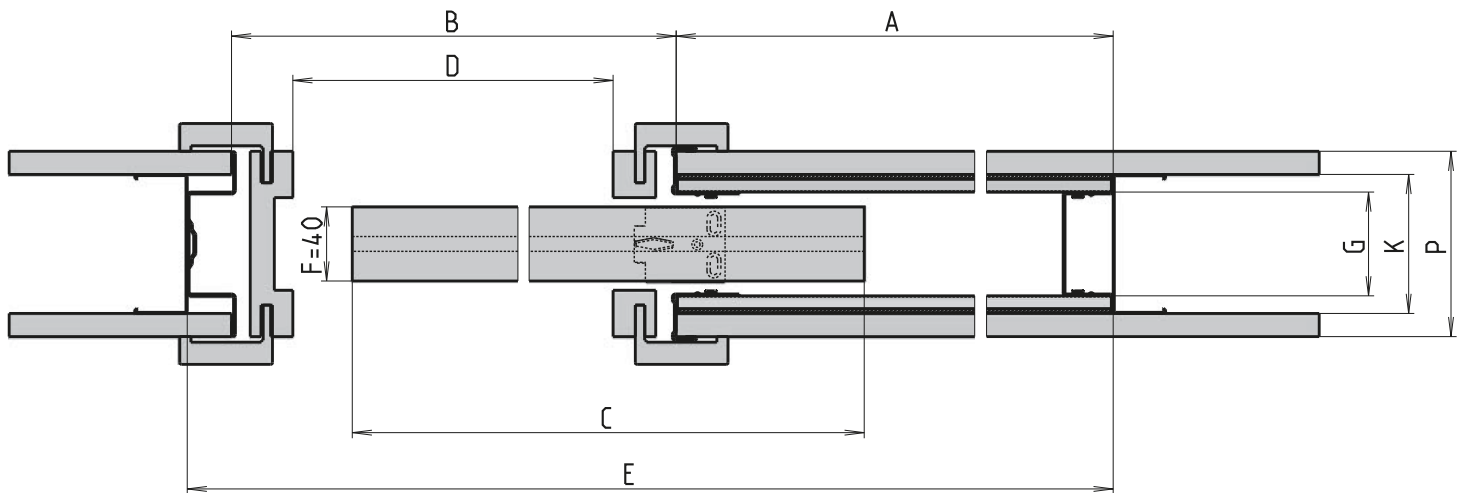
L – standard height of door leaf

P – minimum thickness of finished partition

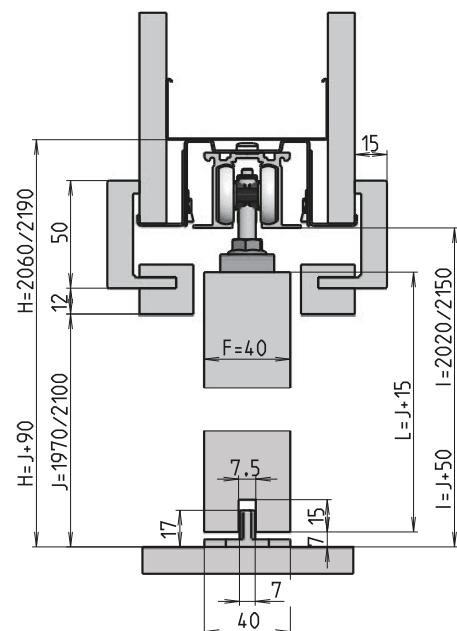
DATA NECESSARY FOR ORDERING PROFIKIT STANDARD POCKET DOORFRAME:

- Clear passage dimensions: D × J
- Thickness of finished partition

- The construction opening corresponds to the pocket doorframe dimensions — after its insertion into the construction opening, the opening must be adapted by sliding the CW or UA profiles toward the pocket doorframe. The pocket doorframe cannot bear a load.
- Outer thickness K of the pocket doorframe is 100 mm = finished partition is $P = 125\text{ mm}$. Alternative thickness of the pocket doorframe K_a 75 mm = thickness of the completed partition P_a 100 mm — applies only to passage height 1970 mm .
- Clearance of the pocket for the completed pocket thickness $P = 125\text{ mm}$ is $G = 79\text{ mm}$.
- Clearance of pocket doorframe for completed partition thickness $P_a = 100\text{ mm}$ is $G_a = 54\text{ mm}$.
- Standard clear passage is 1970 mm and 2100 mm . We do not produce non-standard dimensions.



Horizontal cross-section of the PROFIKIT STANDARD pocket doorframe with a wooden door leaf 40 mm thick.



Vertical cross-section of the PROFIKIT STANDARD frame with wooden door leaf 40 mm thick.

Accessories for pocket doorframes

PROFIKIT STANDARD

All accessories and joining material included.

INCLUDED IN THE PACKAGE

Set of travelling mechanisms

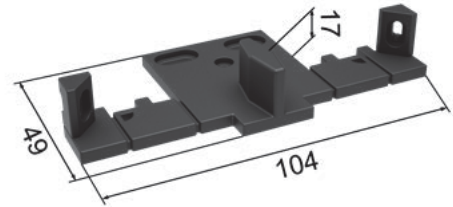
1 rail add-on



2 door racks



1 guide pin



2 stops



2 carriages



6 drywall hangers



ACCESSORIES AT EXTRA CHARGE

Soft closing mechanism for wooden (≤ 60 kg) + activator

1 soft closing mechanism

1 activator



Soft closing mechanism for glass door (60–85 kg) + activator

1 soft closing mechanism

1 activator



Soft closing mechanism for glass door (85–120 kg) + activator

1 soft closing mechanism

1 activator

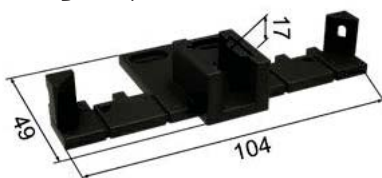


- To damp both sides, two single-sided damping systems must be used.

Set of fixtures for Vetro 22 glass door leaf with guide

2 Vetros

1 guide pin



DATA NECESSARY FOR ORDERING SOFT CLOSING MECHANISM FOR PROFIKIT STANDARD POCKET DOORFRAME

- Clear passage dimensions of pocket doorframe
- Weight of door leaf

Pocket doorframe PROFIKIT KOMFORT

PROFIKIT KOMFORT pocket doorframe



JAP ∞

THE ONLY POCKET DOORFRAME ON THE MARKET
WITH A LIFETIME WARRANTY

This model is a set of two folding pockets connected with a guide moulding. Doors slide out against each other.

- Door movement is synchronized (synchro track included in price)
- The frame is intended for installing mounting panel doorframes
- The PROFIKIT frame is not made to non-standard dimensions
- For drywall only
- For wooden, all-glass, MASTER DOOR and IDEA DOOR
- Maximum weight of one door leaf is 60 kg
- Compatible with all door manufacturers
- The pocket doorframe cannot bear a load
- Removable upper rails
- Adjustable front and rear stop
- Optional damping stop for gradual closing at extra charge
- Takes 6 times less space than ordinary pocket doorframes when storing and transporting
- Better handling on the construction site (loading, unloading, transferring)
- Lifetime warranty



Dimensions of pocket doorframe

PROFIKIT KOMFORT

All dimensions are in millimetres.

Maximum thickness of door leaf (F) for K 100: 65.

Maximum thickness of door leaf (Fa) for Ka 75: 40.

PROFIKIT KOMFORT 1970 mm

Height of net passage after installation of mounting panels (J): 1970.

Total height of the pocket doorframe (H): 2060.

Standard height of the door leaf (L): 1985.

Net passage after mounting panels min. (D × J)	Overall dimensions of pocket doorframe (E × H)	Width of metal pocket (A)	Width of passage after installation of pocket doorframe (B)	Standard dimensions of door leaf (C × L)	Dimensions of rough construction opening in drywall
1250 × 1970	2600 × 2060	650	1300	(2 × 650) × 1985	2600 × 2060
1450 × 1970	3000 × 2060	750	1500	(2 × 750) × 1985	3000 × 2060
1650 × 1970	3400 × 2060	850	1700	(2 × 850) × 1985	3400 × 2060
1850 × 1970	3800 × 2060	950	1900	(2 × 950) × 1985	3800 × 2060
2050 × 1970	4200 × 2060	1050	2100	(2 × 1050) × 1985	4200 × 2060
2250 × 1970	4600 × 2060	1150	2300	(2 × 1150) × 1985	4600 × 2060
2450 × 1970	5000 × 2060	1250	2500	(2 × 1250) × 1985	5000 × 2060

PROFIKIT KOMFORT 2100 mm

Height of net passage after installation of mounting panels (J): 2100.

Total height of the pocket doorframe (H): 2190.

Standard height of the door leaf (L): 2115.

Net passage after mounting panels min. (D × J)	Overall dimensions of pocket doorframe (E × H)	Width of metal pocket (A)	Width of passage after installation of pocket doorframe (B)	Standard dimensions of door leaf (C × L)	Dimensions of rough construction opening in drywall
1250 × 2100	2600 × 2190	650	1300	(2 × 650) × 2115	2600 × 2190
1450 × 2100	3000 × 2190	750	1500	(2 × 750) × 2115	3000 × 2190
1650 × 2100	3400 × 2190	850	1700	(2 × 850) × 2115	3400 × 2190
1850 × 2100	3800 × 2190	950	1900	(2 × 950) × 2115	3800 × 2190
2050 × 2100	4200 × 2190	1050	2100	(2 × 1050) × 2115	4200 × 2190
2250 × 2100	4600 × 2190	1150	2300	(2 × 1150) × 2115	4600 × 2190
2450 × 2100	5000 × 2190	1250	2500	(2 × 1250) × 2115	5000 × 2190

A – width of sheet metal pocket

B – width of passage after installation of pocket doorframe

C – standard width of door leaf

D – width of net passage after installation of mounting panels

E – total width of pocket doorframe

F – maximum thickness of door leaf

G – internal dimensions of frame

H – total height of pocket doorframe

I – floor–rail height (verification of positioning on the finished floor)

J – height of net passage after installation of mounting panels

K – external dimensions of pocket doorframe

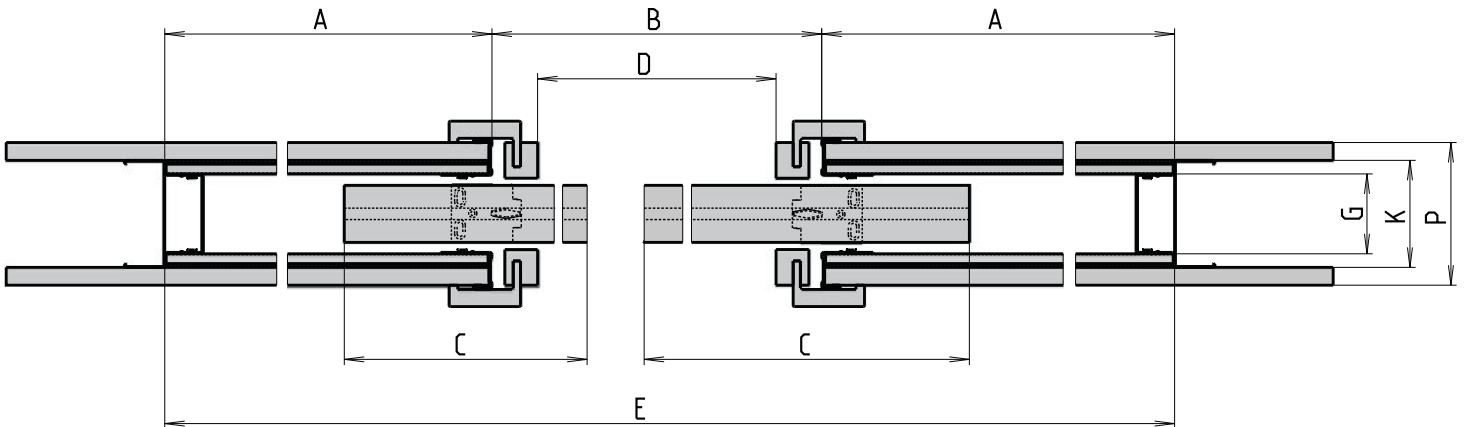
L – standard height of door leaf

P – minimum thickness of finished partition

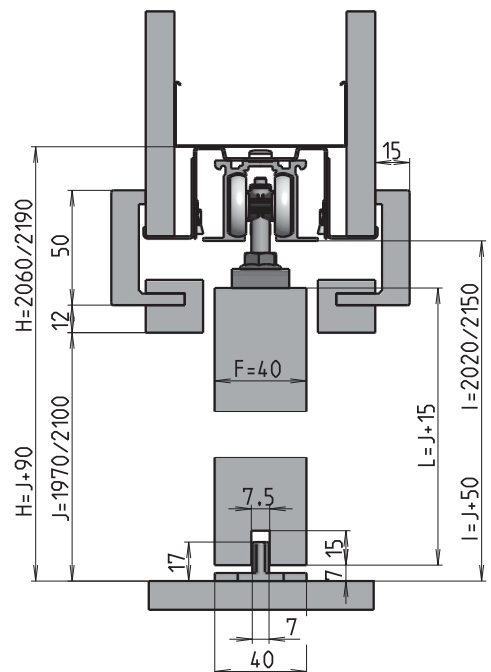
DATA NECESSARY FOR ORDERING PROFIKIT KOMFORT POCKET DOORFRAME:

- Clear passage dimensions: D × J
- Thickness of finished partition

- The construction opening corresponds to the pocket doorframe dimensions — after its insertion into the construction opening, the opening must be adapted by sliding the CW or UA profiles toward the pocket doorframe. The pocket doorframe cannot bear a load.
- Outer thickness K of the pocket doorframe is 100 mm = finished partition is P = 125 mm.
- Alternative thickness of pocket doorframe Ka 75 mm = thickness of completed partition Pa 100 mm — applies only to passage height 1970 mm.
- Clearance of the pocket for the completed pocket thickness P = 125 mm is G = 79 mm.
- Clearance of pocket doorframe for completed partition thickness Pa = 100 mm is Ga = 54 mm.



Horizontal cross-section of PROFIKIT KOMFORT pocket doorframe with a wooden door leaf 40 mm thick.



Vertical cross-section of PROFIKIT KOMFORT frame with wooden door leaf 40 mm thick.

Accessories for pocket doorframes

PROFIKIT KOMFORT

All accessories and joining material included.

INCLUDED IN THE PACKAGE

Set of travelling mechanisms

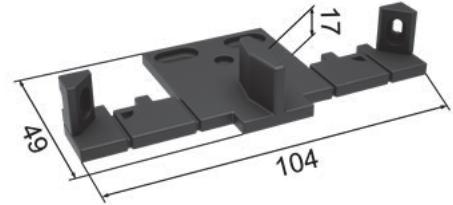
1 rail add-on



4 door racks



2 guide pins



4 stops



4 carriages



8 drywall hangers



ACCESSORIES FREE OF CHARGE

Synchronizing mechanism package

2 brackets with slots



1 steel cable



2 pulleys



2 synchro washers



1 spring



1 clamp



ACCESSORIES AT EXTRA CHARGE

Soft closing mechanism for wooden (≤ 60 kg) + activator

2 soft closing mechanisms

2 activators



Soft closing mechanism for glass door (60–85 kg) + activator

2 soft closing mechanisms

2 activators



Soft closing mechanism for glass door (85–120 kg) + activator

2 soft closing mechanisms

2 activators

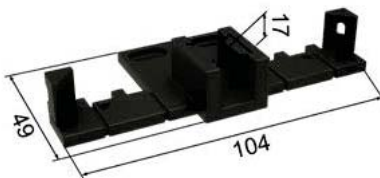


- To damp both sides, two single-sided damping systems must be used.

Set of fixtures for Vetro 22 glass door leaf with guide

4 Vetros

2 guide pins



DATA NECESSARY FOR ORDERING SOFT CLOSING MECHANISM FOR PROFIKIT KOMFORT POCKET DOORFRAME

- Net passage dimensions of pocket doorframe
- Weight of door leaf

Pocket doorframes

AKTIVE II STANDARD / KOMFORT

AKTIVE II STANDARD pocket doorframe



JAP ∞

THE ONLY POCKET DOORFRAME ON THE MARKET
WITH A LIFETIME WARRANTY

MASONRY



DRYWALL



BENCHMARK



Pocket doorframe AKTIVE II STANDARD

AKTIVE II STANDARD pocket doorframe

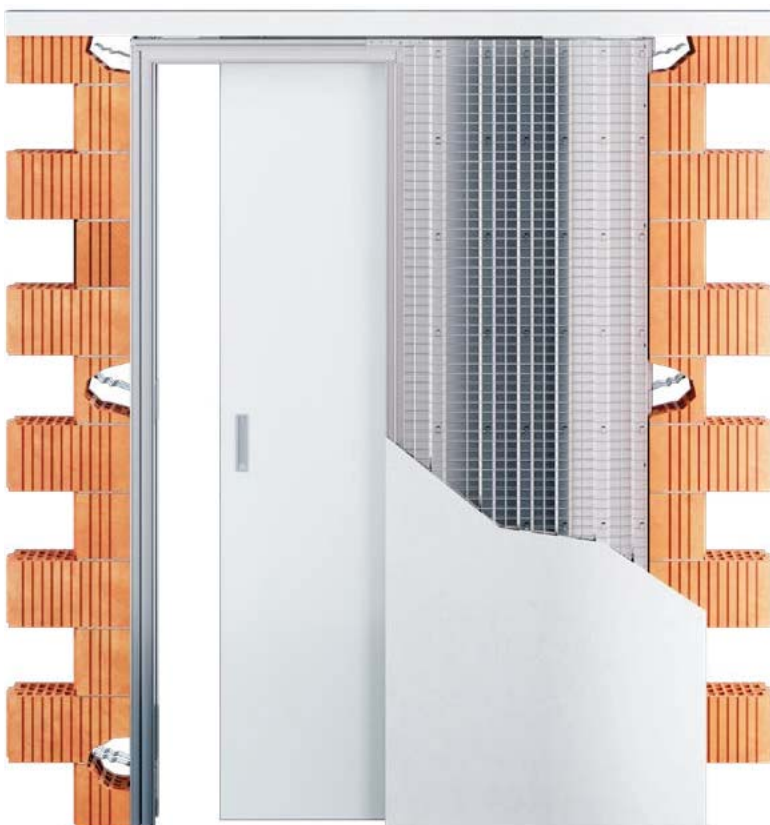


JAP ∞

THE ONLY POCKET DOORFRAME ON THE MARKET
WITH A LIFETIME WARRANTY

This model is a construction pocket for slide-in single-leaf doors entirely without doorframes – unlined pocket doorframe (passage around the doors is not limited by anything). An unlined pocket doorframe for single-leaf sliding doors that perfectly respects the clean, modern lines of the wall.

- For completed wall partitions 125 mm and 150 mm thick
- Optional non-standard dimensions to 2700 mm high
- Pocket doorframe can be added even without a support leg, so the door then runs directly to the wall
- For drywall and masonry
- For masonry partitions, the opening must be fitted with a lintel – the pocket doorframe cannot bear a load
- For wooden, all-glass, MASTER DOOR and IDEA DOOR
- Hanging the door leaf requires ordering an assembly package for wooden or glass doors at extra charge
- Maximum weight of one door leaf is 90 kg
- Very quiet travelling mechanism in a special aluminium moulding
- Removable upper rails
- Adjustable front and rear stop
- Optional damping stop for gradual closing at extra charge
- Switch can be placed on doorframe pocket
- Whole frame made of high-quality galvanized sheet and aluminium profile
- The pocket doorframes are designed for the AKTIVE II range of concealed doorframes for revolving doors.
- Lifetime warranty
- Painting according to RAL and NCS swatch books at extra charge
- Lacquer, adhesive bonding and anodizing are used for the surface finish for components of this case.



Dimensions of pocket doorframe

AKTIVE II STANDARD

All dimensions are in millimetres.

Maximum thickness of door leaf (F) for K 100: 40.

Width of passage after installing pocket doorframe (B) = D

AKTIVE II STANDARD 1982 mm

Height of net passage after installation of mounting panels (J): 1982.

Total height of the pocket doorframe (H): 2045.

Standard height of wooden door leaf (L): 1974.

Standard height of glass door leaf (L): 1962.

Net passage min. (D × J)	Overall dimensions of pocket doorframe (E × H)	Width of metal pocket (A)	Standard dimensions of wooden door leaf (C × L)	Standard dimensions of glass door leaf (C × L)	Dimensions of rough construction opening in drywall	Recommended dimensions for rough structural hole in masonry systems
620 × 1982	1341 × 2045	668	650 × 1974	650 × 1962	1341 × 2045	1381 × 2065
720 × 1982	1541 × 2045	768	750 × 1974	750 × 1962	1541 × 2045	1581 × 2065
820 × 1982	1741 × 2045	868	850 × 1974	850 × 1962	1741 × 2045	1781 × 2065
920 × 1982	1941 × 2045	968	950 × 1974	950 × 1962	1941 × 2045	1981 × 2065
1020 × 1982	2141 × 2045	1068	1050 × 1974	1050 × 1962	2141 × 2045	2181 × 2065
1120 × 1982	2341 × 2045	1168	1150 × 1974	1150 × 1962	2341 × 2045	2381 × 2065
1220 × 1982	2541 × 2045	1268	1250 × 1974	1250 × 1962	2541 × 2045	2581 × 2065

AKTIVE II STANDARD 2112 mm

Height of net passage after installation of mounting panels (J): 2112.

Total height of the pocket doorframe (H): 2175.

Standard height of wooden door leaf (L): 2104.

Standard height of glass door leaf (L): 2092.

Net passage min. (D × J)	Overall dimensions of pocket doorframe (E × H)	Width of metal pocket (A)	Standard dimensions of wooden door leaf (C × L)	Standard dimensions of glass door leaf (C × L)	Dimensions of rough construction opening in drywall	Recommended dimensions for rough structural hole in masonry systems
620 × 2112	1341 × 2175	668	650 × 2104	650 × 2092	1341 × 2175	1381 × 2195
720 × 2112	1541 × 2175	768	750 × 2104	750 × 2092	1541 × 2175	1581 × 2195
820 × 2112	1741 × 2175	868	850 × 2104	850 × 2092	1741 × 2175	1781 × 2195
920 × 2112	1941 × 2175	968	950 × 2104	950 × 2092	1941 × 2175	1981 × 2195
1020 × 2112	2141 × 2175	1068	1050 × 2104	1050 × 2092	2141 × 2175	2181 × 2195
1120 × 2112	2341 × 2175	1168	1150 × 2104	1150 × 2092	2341 × 2175	2381 × 2195
1220 × 2112	2541 × 2175	1268	1250 × 2104	1250 × 2092	2541 × 2175	2581 × 2195

A – width of sheet metal pocket

B – width of passage after installation of pocket doorframe

C – standard width of door leaf

D – width of net passage after installation of mounting panels

E – total width of pocket doorframe

F – maximum thickness of door leaf

G – internal dimensions of frame

H – total height of pocket doorframe

I – floor–rail height (verification of positioning on the finished floor)

J – height of net passage after installation of mounting panels

K – external dimensions of pocket doorframe

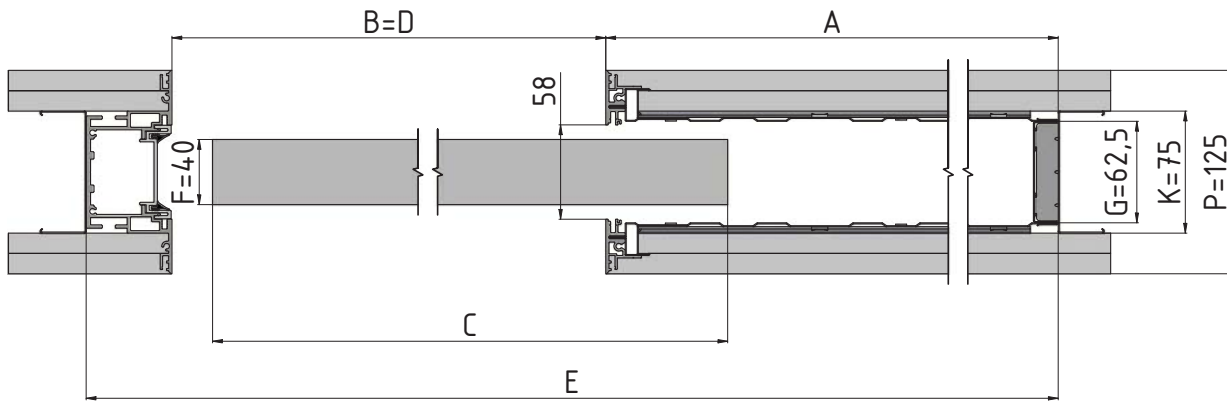
L – standard height of door leaf

P – minimum thickness of finished partition

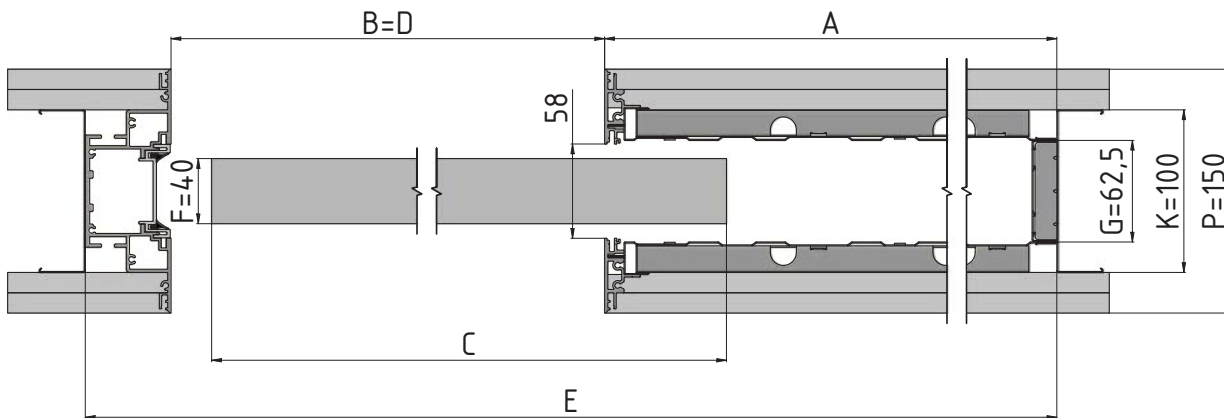
DATA NECESSARY FOR ORDERING AKTIVE II STANDARD POCKET DOORFRAME

- Clear passage dimensions: D × J
- Partition type: Drywall × masonry
- Door manufacturer: JAP, SAPELI, other manufacturer
- Wall thickness: 125 or 150 mm

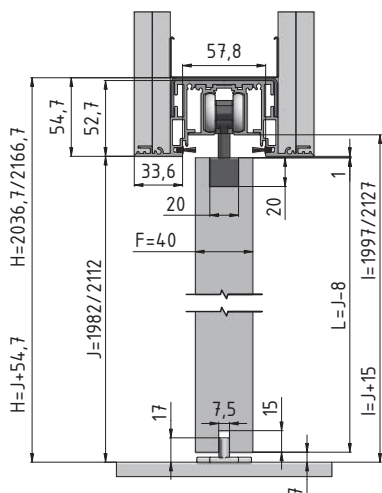
- Outer thickness (K) of the AKTIVE II pocket doorframe is 100 mm = finished partition (P) is 125 mm or 150 mm.
- The opening must be fitted with a lintel – the pocket doorframe cannot bear a load.
- Optional non-standard dimensions to 2700 mm high.
- For hanging the door leaf, we recommend using the fixture contained in the installation package for wooden or glass doors at extra charge.



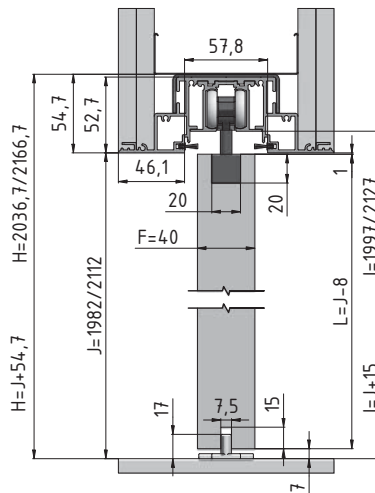
Horizontal cross-section of AKTIVE II STANDARD with wooden door leaf 40 mm thick, partitions thickness 125 mm.



Horizontal cross-section of AKTIVE II STANDARD pocket with wooden door leaf 40 mm thick, partition thickness 150 mm



Vertical cross-section of AKTIVE II STANDARD pocket with wooden door leaf 40 mm thick, partition thickness 125 mm.



Vertical cross-section of AKTIVE II STANDARD with wooden door leaf 40 mm thick, partition thickness 150 mm.

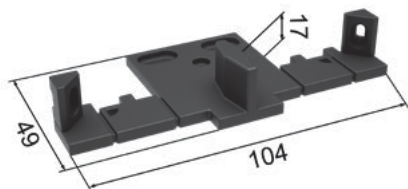
Accessories for AKTIVE II STANDARD POCKET DOORFRAMES

All accessories, joining material and seals included.

ACCESSORIES AT EXTRA CHARGE

Installation package for wooden door

1 guide pin



1 end cap



2 aluminium coffins



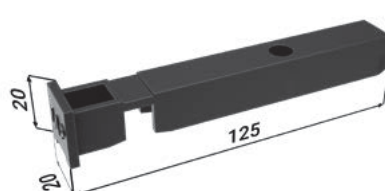
2 stops



2 carriages



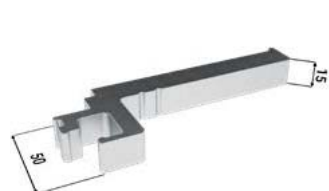
2 plastic coffins



ACCESSORIES AT EXTRA CHARGE

Installation package for glass door

2 spacer profiles



1 end cap



2 Vetro 22



1 guide pin with brushes



2 stops



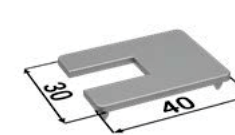
2 carriages



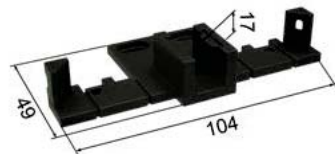
2 Vetro 22 cover profiles



2 Vetro 22 covers



1 guide pin



DATA NECESSARY FOR ORDERING INSTALLATION PACKAGES FOR AKTIVE II STANDARD POCKET DOORFRAME:

- Clear passage dimensions of pocket doorframe

ACCESSORIES AT EXTRA CHARGE

Soft closing mechanism for wooden (≤ 60 kg) + activator

1 soft closing mechanism

1 activator



Soft closing mechanism for glass door (60–85 kg) + activator

1 soft closing mechanism

1 activator



Soft closing mechanism for glass door (85–120 kg) + activator

1 soft closing mechanism

1 activator



- To damp both sides, two single-sided damping systems must be used.

DATA NECESSARY FOR ORDERING QUIET STOP FOR AKTIVE II STANDARD POCKET DOORFRAME

- Doors: wooden x glass
- Clear passage dimensions of pocket doorframe
- Weight of door leaf

Pocket doorframe AKTIVE II STANDARD without web

AKTIVE II STANDARD pocket doorframe without web



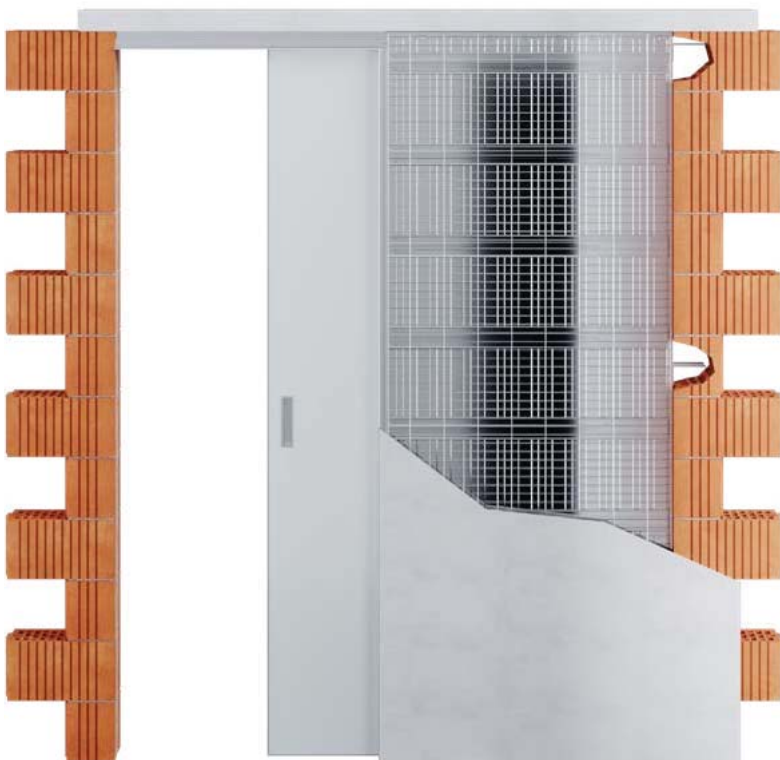
JAP ∞

THE ONLY POCKET DOORFRAME ON THE MARKET
WITH A LIFETIME WARRANTY

This model is a construction pocket for slide-in single-leaf doors entirely without doorframes – unlined pocket doorframe (passage around the doors is not limited by anything). An unlined pocket doorframe for single-leaf sliding doors that perfectly respects the clean, modern lines of the wall.

For completed wall partitions 125 mm and 150 mm thick

- Optional non-standard dimensions to 2700 mm high
- For drywall and masonry
- For masonry partitions, the opening must be fitted with a lintel – the pocket doorframe cannot bear a load
- For wooden, all-glass, • MASTER DOOR, IDEA DOOR
- Hanging the door leaf requires ordering an assembly package for wooden or glass doors at extra charge
- Maximum weight of a single door leaf is 90 kg
- Very quiet travelling mechanism in a special aluminium moulding
- Removable upper rails
- Adjustable front and rear stop
- Optional damping stop for gradual closing at extra charge
- Switch can be placed on doorframe pocket
- Whole frame made of high-quality galvanized sheet and aluminium profile
- The pocket doorframes are designed for the AKTIVE II range of concealed doorframes for revolving doors
- Lifetime warranty
- Painting according to RAL and NCS swatch books at extra charge
- Lacquer, adhesive bonding and anodizing are used for the surface finish for components of this case.



AKTIVE II STANDARD pocket doorframe fitted with a wooden door leaf



AKTIVE II STANDARD pocket doorframe fitted with an IDEALINE door



AKTIVE II STANDARD pocket doorframe fitted with a IDEA door



AKTIVE II STANDARD pocket doorframe fitted with a MASTER door



AKTIVE II STANDARD pocket doorframe fitted with an all-glass door leaf



Dimensions of pocket doorframe

AKTIVE II STANDARD without web

All dimensions are in millimetres.

Maximum thickness of door leaf (F) for K 100: 40.

Width of passage after installing pocket doorframe (B) = D.

AKTIVE II STANDARD without web 1982 mm

Height of net passage after installation of mounting panels (J): 1982.

Total height of the pocket doorframe (H): 2045.

Standard height of wooden door leaf (L): 1974.

Standard height of glass door leaf (L): 1962.

Net passage min. (D × J)	Overall dimensions of pocket doorframe (E × H)	Width of metal pocket (A)	Standard dimensions of wooden door leaf (C × L)	Standard dimensions of glass door leaf (C × L)	Dimensions of rough construction opening in drywall	Recommended dimensions for rough structural hole in masonry systems
620 × 1982	1288 × 2045	668	650 × 1974	650 × 1962	1288 × 2045	1328 × 2065
720 × 1982	1488 × 2045	768	750 × 1974	750 × 1962	1488 × 2045	1528 × 2065
820 × 1982	1688 × 2045	868	850 × 1974	850 × 1962	1688 × 2045	1728 × 2065
920 × 1982	1888 × 2045	968	950 × 1974	950 × 1962	1888 × 2045	1928 × 2065
1020 × 1982	2088 × 2045	1068	1050 × 1974	1050 × 1962	2088 × 2045	2128 × 2065
1120 × 1982	2288 × 2045	1168	1150 × 1974	1150 × 1962	2288 × 2045	2328 × 2065
1220 × 1982	2488 × 2045	1268	1250 × 1974	1250 × 1962	2488 × 2045	2528 × 2065

AKTIVE II STANDARD without web 2112 mm

Height of net passage after installation of mounting panels (J): 2112.

Total height of the pocket doorframe (H): 2175.

Standard height of wooden door leaf (L): 2104.

Standard height of glass door leaf (L): 2092.

Net passage min. (D × J)	Overall dimensions of pocket doorframe (E × H)	Width of metal pocket (A)	Standard dimensions of wooden door leaf (C × L)	Standard dimensions of glass door leaf (C × L)	Dimensions of rough construction opening in drywall	Recommended dimensions for rough structural hole in masonry systems
620 × 2112	1288 × 2175	668	650 × 2104	650 × 2092	1288 × 2175	1328 × 2195
720 × 2112	1488 × 2175	768	750 × 2104	750 × 2092	1488 × 2175	1528 × 2195
820 × 2112	1688 × 2175	868	850 × 2104	850 × 2092	1688 × 2175	1728 × 2195
920 × 2112	1888 × 2175	968	950 × 2104	950 × 2092	1888 × 2175	1928 × 2195
1020 × 2112	2088 × 2175	1068	1050 × 2104	1050 × 2092	2088 × 2175	2128 × 2195
1120 × 2112	2288 × 2175	1168	1150 × 2104	1150 × 2092	2288 × 2175	2328 × 2195
1220 × 2112	2488 × 2175	1268	1250 × 2104	1250 × 2092	2488 × 2175	2528 × 2195

A – width of sheet metal pocket

B – width of passage after installation of pocket doorframe

C – standard width of door leaf

D – width of net passage after installation of mounting panels

E – total width of pocket doorframe

F – maximum thickness of door leaf

G – internal dimensions of frame

H – total height of pocket doorframe

I – floor–rail height (verification of positioning on the finished floor)

J – height of net passage after installation of mounting panels

K – external dimensions of pocket doorframe

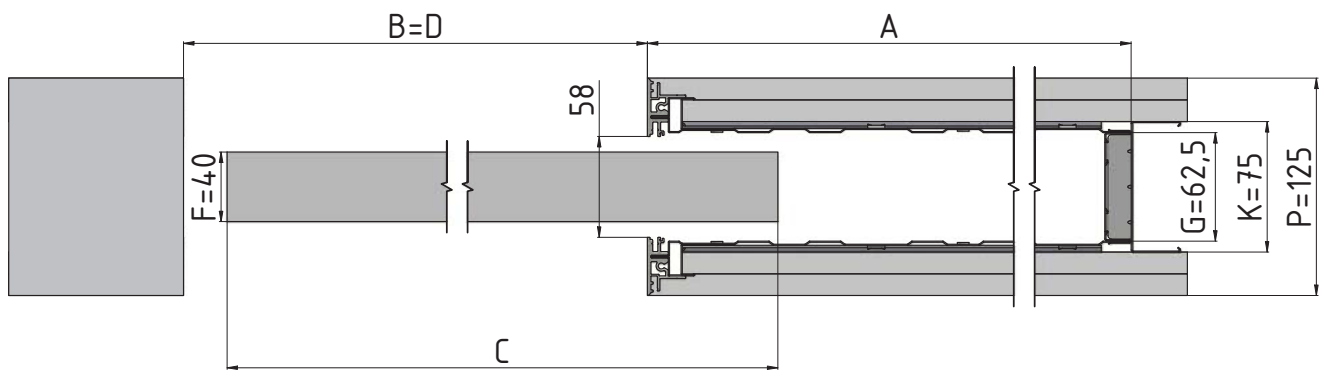
L – standard height of door leaf

P – minimum thickness of finished partition

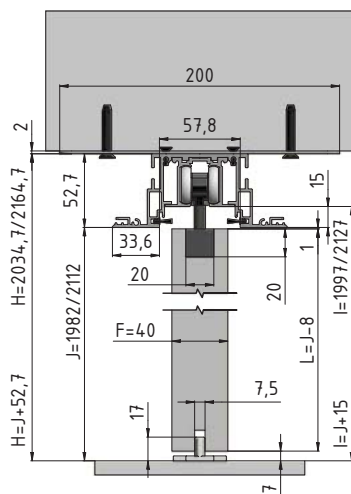
DATA NECESSARY FOR ORDERING AKTIVE II STANDARD POCKET DOORFRAME without web

- Clear passage dimensions: D × J
- Partition type: Drywall × masonry
- Door manufacturer: JAP, SAPELI, other manufacturer
- Wall thickness: 125 or 150 mm

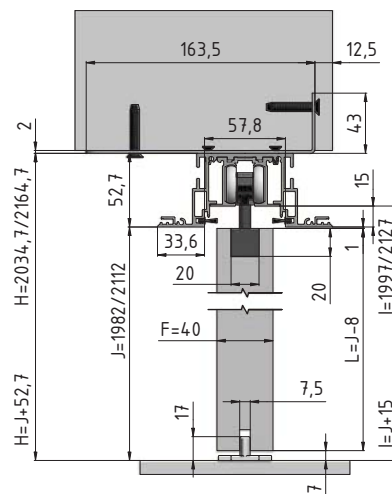
- Outer thickness (K) of the AKTIVE II pocket doorframe without web is 100 mm = finished partition (P) is 125 mm or 150 mm.
- The opening must be fitted with a lintel – the pocket doorframe cannot bear a load.
- Optional non-standard dimensions to 2700 mm high.
- For hanging the door leaf, we recommend using the fixture contained in the installation package for wooden or glass doors at extra charge.



Horizontal cross-section of the AKTIVE II STANDARD pocket doorframe without web with a wooden door leaf 40 mm thick.



Vertical cross-section of AKTIVE II STANDARD without web, with wooden door leaf 40 mm, anchoring with flat anchors.



Vertical cross-section of AKTIVE II STANDARD without web, with wooden door leaf 40 mm, anchoring with L anchors.

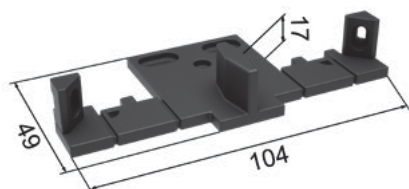
Accessories for pocket doorframes AKTIVE II STANDARD without web

All accessories, joining material and seals included.

ACCESSORIES AT EXTRA CHARGE

Installation package for wooden door

1 guide pin



1 end cap



2 aluminium coffins



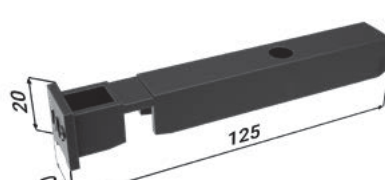
2 stops



2 carriages



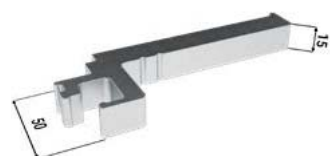
2 plastic coffins



ACCESSORIES AT EXTRA CHARGE

Installation package for glass door

2 spacer profiles



1 end cap



2 Vetro 22



1 guide pin with brushes



2 stops



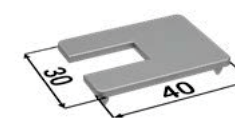
2 carriages



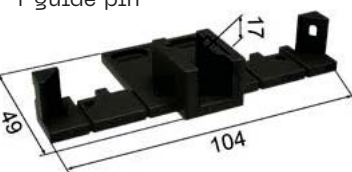
2 Vetro 22 cover profiles



2 Vetro 22 covers



1 guide pin



**DATA NECESSARY FOR ORDERING INSTALLATION
PACKAGES FOR Aktive II STANDARD POCKET
DOORFRAME:**

- Clear passage dimensions of pocket doorframe

ACCESSORIES AT EXTRA CHARGE

Soft closing mechanism for wooden (≤ 60 kg) + activator

1 soft closing mechanism

1 activator



Soft closing mechanism for glass door (60–85 kg) + activator

1 soft closing mechanism

1 activator



Soft closing mechanism for glass door (85–120 kg) + activator

1 soft closing mechanism

1 activator



- To damp both sides, two single-sided damping systems must be used.

DATA NECESSARY FOR ORDERING QUIET STOP FOR ACTIVE II STANDARD POCKET DOORFRAME

- Doors: wooden x glass
- Clear passage dimensions of pocket doorframe
- Weight of door leaf

Pocket doorframe AKTIVE II KOMFORT

AKTIVE II KOMFORT pocket doorframe



JAP ∞

THE ONLY POCKET DOORFRAME ON THE MARKET
WITH A LIFETIME WARRANTY

This model is a set of two construction casings connected with a guide moulding. Each pocket is intended for one single-leaf door that slides out against itself.

- For completed wall partitions 125 mm and 150 mm thick
- Movement of door leaves is synchronized – synchronized track for AKTIVE II KOMFORT included in price
- This model of pocket doorframe entirely without mounting panel – unlined pocket doorframe (passage around the doors is not limited by anything).
- Optional non-standard dimensions to 2700 mm high
- For drywall and masonry
- For masonry partitions, the opening must be fitted with a lintel – the pocket doorframe cannot bear a load
- For wooden, all-glass, MASTER DOOR and IDEA DOOR
- Hanging the door leaf requires ordering an assembly package for wooden or glass doors at extra charge
- Maximum weight of a single door leaf is 90 kg
- Very quiet travelling mechanism in a special aluminium moulding
- Removable upper rails
- Adjustable front and rear stop
- Optional damping stop for gradual closing at extra charge
- Switch can be placed on doorframe pocket
- Whole frame made of high-quality galvanized sheet and aluminium profile
- The pocket doorframes are designed for the AKTIVE II range of concealed doorframes for revolving doors.
- Lifetime warranty
- In the basic version, the visible surfaces are equipped with a bonding bridge, designed to be rubbed over
- Painting according to RAL and NCS swatch books at extra charge
- Synchronizing mechanism cannot be used for all-glass door
- Lacquer, adhesive bonding and anodizing are used for the surface finish for components of this case.



Dimensions of pocket doorframe

AKTIVE II KOMFORT

All dimensions are in millimetres.

Maximum thickness of door leaf (F) for K 100: 40.

Width of passage after installing pocket doorframe (B) = D

AKTIVE II KOMFORT 1982 mm

Height of net passage after installation of mounting panels (J): 1982.

Total height of the pocket doorframe (H): 2045.

Standard height of wooden door leaf (L): 1974.

Standard height of glass door leaf (L): 1962.

Net passage min. (D × J)	Overall dimensions of pocket doorframe (E × H)	Width of metal pocket (A)	Standard dimensions of wooden door leaf (C × L)	Standard dimensions of glass door leaf (C × L)	Dimensions of rough construction opening in drywall	Recommended dimensions for rough structural hole in masonry systems
1270 × 1982	2606 × 2045	2 × 668	(2 × 650) × 1974	(2 × 650) × 1962	2606 × 2045	2646 × 2065
1470 × 1982	3006 × 2045	2 × 768	(2 × 750) × 1974	(2 × 750) × 1962	3006 × 2045	3046 × 2065
1670 × 1982	3406 × 2045	2 × 868	(2 × 850) × 1974	(2 × 850) × 1962	3406 × 2045	3446 × 2065
1870 × 1982	3806 × 2045	2 × 968	(2 × 950) × 1974	(2 × 950) × 1962	3806 × 2045	3846 × 2065
2070 × 1982	4206 × 2045	2 × 1068	(2 × 1050) × 1974	(2 × 1050) × 1962	4206 × 2045	4246 × 2065
2270 × 1982	4606 × 2045	2 × 1168	(2 × 1150) × 1974	(2 × 1150) × 1962	4606 × 2045	4446 × 2065
2470 × 1982	5006 × 2045	2 × 1268	(2 × 1250) × 1974	(2 × 1250) × 1962	5006 × 2045	5046 × 2065

AKTIVE II KOMFORT 2112 mm

Height of net passage after installation of mounting panels (J): 2112.

Total height of the pocket doorframe (H): 2175.

Standard height of wooden door leaf (L): 2104.

Standard height of glass door leaf (L): 2092.

Net passage min. (D × J)	Overall dimensions of pocket doorframe (E × H)	Width of metal pocket (A)	Standard dimensions of wooden door leaf (C × L)	Standard dimensions of glass door leaf (C × L)	Dimensions of rough construction opening in drywall	Recommended dimensions for rough structural hole in masonry systems
1270 × 2112	2606 × 2175	2 × 668	(2 × 650) × 2104	(2 × 650) × 2092	2606 × 2175	2646 × 2195
1470 × 2112	3006 × 2175	2 × 768	(2 × 750) × 2104	(2 × 750) × 2092	3006 × 2175	3046 × 2195
1670 × 2112	3406 × 2175	2 × 868	(2 × 850) × 2104	(2 × 850) × 2092	3406 × 2175	3446 × 2195
1870 × 2112	3806 × 2175	2 × 968	(2 × 950) × 2104	(2 × 950) × 2092	3806 × 2175	3846 × 2195
2070 × 2112	4206 × 2175	2 × 1068	(2 × 1050) × 2104	(2 × 1050) × 2092	4206 × 2175	4246 × 2195
2270 × 2112	4606 × 2175	2 × 1168	(2 × 1150) × 2104	(2 × 1150) × 2092	4606 × 2175	4446 × 2195
2470 × 2112	5006 × 2175	2 × 1268	(2 × 1250) × 2104	(2 × 1250) × 2092	5006 × 2175	5046 × 2195

A – width of sheet metal pocket

B – width of passage after installation of pocket doorframe

C – standard width of door leaf

D – width of net passage after installation of mounting panels

E – total width of pocket doorframe

F – maximum thickness of door leaf

G – internal dimensions of frame

H – total height of pocket doorframe

I – floor–rail height (verification of positioning on the finished floor)

J – height of net passage after installation of mounting panels

K – external dimensions of pocket doorframe

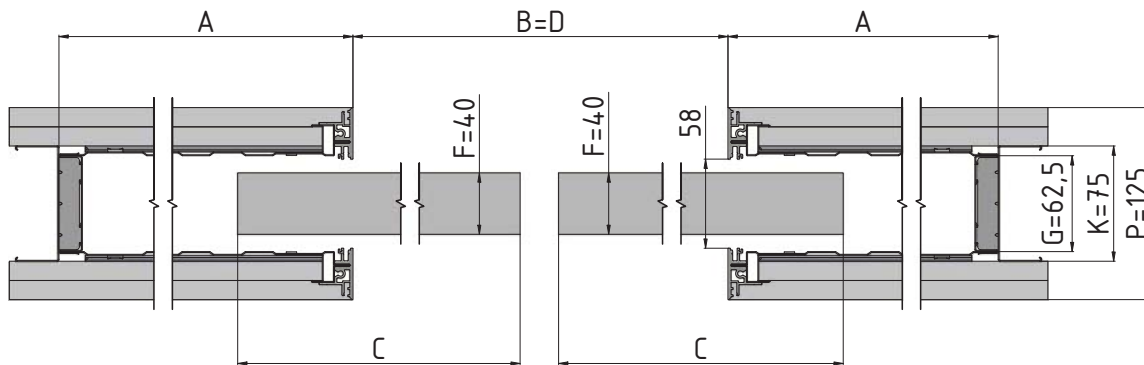
L – standard height of door leaf

P – minimum thickness of finished partition

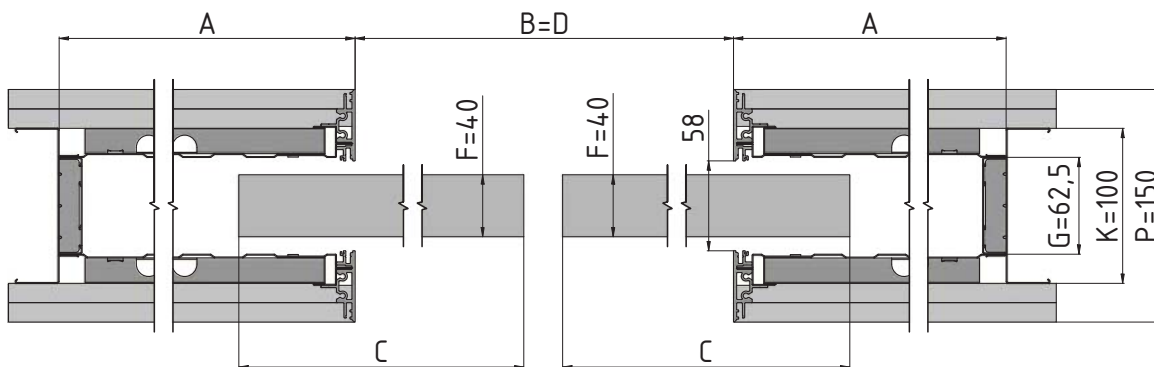
DATA NECESSARY FOR ORDERING AKTIVE II KOMFORT POCKET DOORFRAME

- Clear passage dimensions: D × J
- Partition type: Drywall × masonry
- Door manufacturer: JAP, SAPELI, other manufacturer
- Wall thickness: 125 or 150 mm

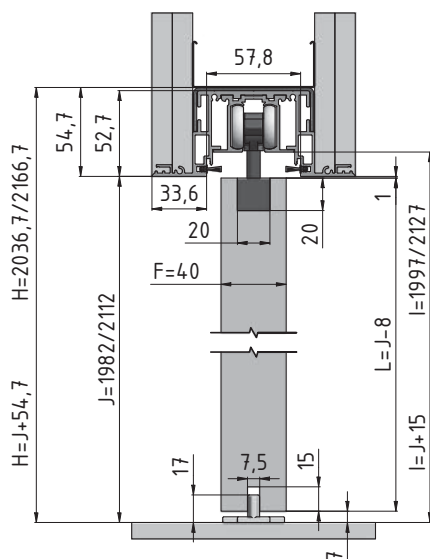
- Outer thickness (K) of the AKTIVE pocket doorframe is 100 mm = finished partition (P) is 125 mm or 150 mm.
- The opening must be fitted with a lintel – the pocket doorframe cannot bear a load.
- Custom dimensions 1975 mm to 2700 mm.



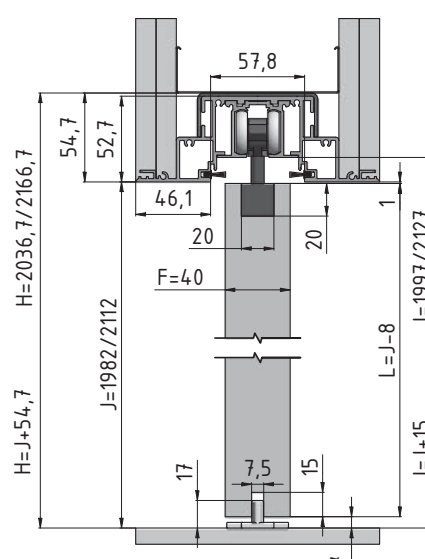
Horizontal cross-section of AKTIVE II KOMFORT with wooden door leaf 40 mm thick, partitions thickness 125 mm.



Horizontal cross-section of AKTIVE II KOMFORT pocket with wooden door leaf 40 mm thick, partition thickness 150 mm



Vertical cross-section of AKTIVE II KOMFORT pocket with wooden door leaf 40 mm thick, partition thickness 125 mm



Vertical cross-section of AKTIVE II KOMFORT pocket with wooden door leaf 40 mm thick, partition thickness 150 mm

Accessories for pocket doorframes

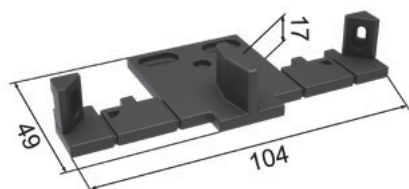
AKTIVE II KOMFORT

All accessories, joining material and seals included.

ACCESSORIES AT EXTRA CHARGE

Installation package for wooden door

2 guide pins



4 aluminium coffins



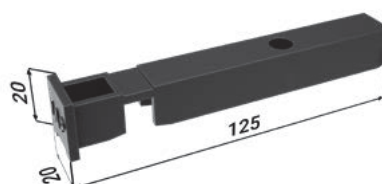
4 stops



4 carriages



4 plastic coffins



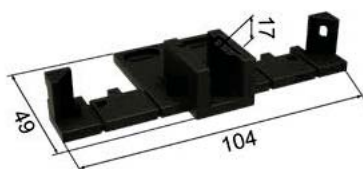
ACCESSORIES AT EXTRA CHARGE

Installation package for glass door

4 spacer profiles



2 guide pins



4 Vetro 22



2 guide pins with brushes



4 stops



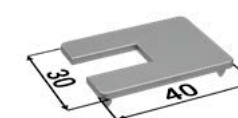
4 carriages



4 Vetro 22 cover profiles



4 Vetro 22 covers



DATA NECESSARY FOR ORDERING INSTALLATION PACKAGE FOR AKTIVE II KOMFORT POCKET DOORFRAME

- Clear passage dimensions of pocket doorframe

ACCESSORIES FREE OF CHARGE

Synchronizing mechanism package

2 carriages + synchro washer



1 steel cable



2 pulleys



1 spring



1 clamp



ACCESSORIES AT EXTRA CHARGE

Soft closing mechanism for wooden (≤ 60 kg) + activator

2 soft closing mechanisms

2 activators



Soft closing mechanism for glass door (60–85 kg) + activator

2 soft closing mechanisms

2 activators



Soft closing mechanism for glass door (85–120 kg) + activator

2 soft closing mechanisms

2 activators



- To damp both sides, two single-sided damping systems must be used.

DATA NECESSARY FOR ORDERING QUIET STOP FOR AKTIVE II KOMFORT POCKET DOORFRAME

- Doors: wooden x glass
- Clear passage dimensions of pocket doorframe
- Weight of door leaf

Pocket doorframes

EMOTIVE II STANDARD / KOMFORT

EMOTIVE II STANDARD pocket doorframe



JAP ∞

THE ONLY POCKET DOORFRAME ON THE MARKET
WITH A LIFETIME WARRANTY

EMOTIVE II STANDARD

MASONRY



DRYWALL



BENCHMARK



Protective frame



Pocket doorframe EMOTIVE II STANDARD

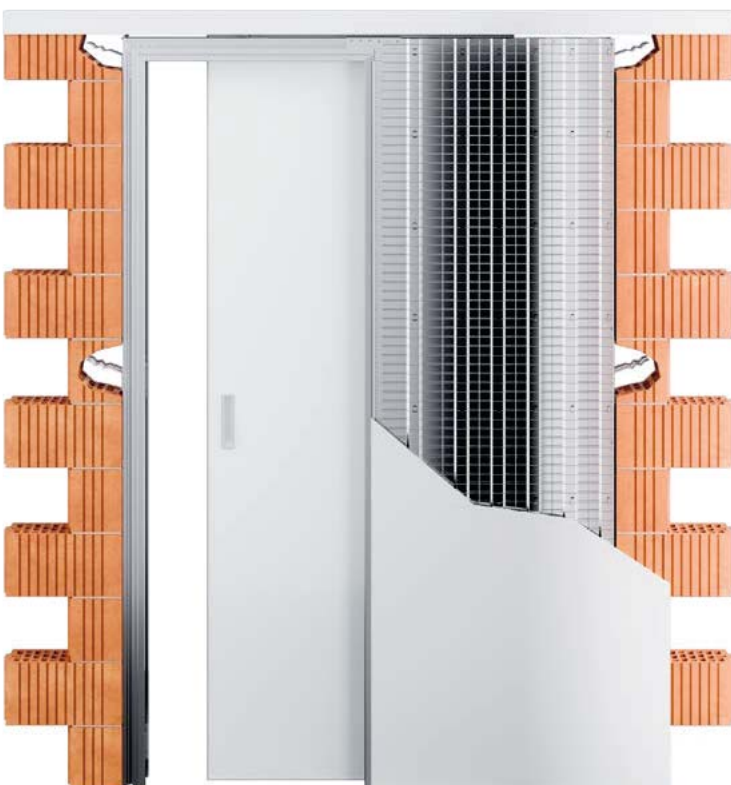
EMOTIVE II STANDARD pocket doorframe



JAP ∞
THE ONLY POCKET DOORFRAME ON THE MARKET
WITH A LIFETIME WARRANTY

The passage around the door is edged with an aluminium frame for both design and protection. Clean, modern lines for unlined pocket doorframes. The pocket doorframes are designed for the EMOTIVE range of concealed doorframes for revolving doors.

- This model is a pocket for sliding single-leaf doors where no doorframe is used, but a decorative aluminium frame 17 mm wide
- Whole frame made of high-quality galvanized sheet and aluminium profile
- Optional non-standard dimensions to 2700 mm high
- For drywall and masonry
- For masonry partitions, the opening must be fitted with a lintel – the pocket doorframe cannot bear a load
- For wooden, all-glass, MASTER DOOR and IDEA DOOR
- Hanging the door leaf requires ordering an assembly package for wooden or glass doors at extra charge
- Maximum weight of one door leaf is 90 kg
- For completed wall partitions 125 mm and 150 mm thick
- High-quality, very quiet travelling mechanism in a special aluminium moulding
- Removable upper rails
- Adjustable front and rear stop
- Optional damping stop for gradual closing at extra charge
- Switch can be placed on doorframe pocket
- In the basic version, the visible surfaces are equipped with a bonding bridge, designed to be rubbed over
- Lifetime warranty
- Painting according to RAL and NCS swatch books at extra charge
- Lacquer, adhesive bonding and anodizing are used for the surface finish for components of this case.



Dimensions of pocket doorframe

EMOTIVE II STANDARD

All dimensions are in millimetres.

Maximum thickness of door leaf (F) for K 100: 40.

Width of passage after installing pocket doorframe (B) = D

EMOTIVE II STANDARD 1982 mm

Height of net passage after installation of mounting panels (J): 1982.

Total height of the pocket doorframe (H): 2045.

Standard height of wooden door leaf (L): 1962.

Standard height of glass door leaf (L): 1950.

Net passage min. (D × J)	Overall dimensions of pocket doorframe (E × H)	Width of metal pocket (A)	Standard dimensions of wooden door leaf (C × L)	Standard dimensions of glass door leaf (C × L)	Dimensions of rough construction opening in drywall	Recommended dimensions for rough structural hole in masonry systems
620 × 1982	1341 × 2045	668	650 × 1962	650 × 1950	1341 × 2045	1381 × 2065
720 × 1982	1541 × 2045	768	750 × 1962	750 × 1950	1541 × 2045	1581 × 2065
820 × 1982	1741 × 2045	868	850 × 1962	850 × 1950	1741 × 2045	1781 × 2065
920 × 1982	1941 × 2045	968	950 × 1962	950 × 1950	1941 × 2045	1981 × 2065
1020 × 1982	2141 × 2045	1068	1050 × 1962	1050 × 1950	2141 × 2045	2181 × 2065
1120 × 1982	2341 × 2045	1168	1150 × 1962	1150 × 1950	2341 × 2045	2381 × 2065
1220 × 1982	2541 × 2045	1268	1250 × 1962	1250 × 1950	2541 × 2045	2581 × 2065

EMOTIVE II STANDARD 2112 mm

Height of net passage after installation of mounting panels (J): 2112.

Total height of the pocket doorframe (H): 2175.

Standard height of wooden door leaf (L): 2104.

Standard height of glass door leaf (L): 2092.

Net passage min. (D × J)	Overall dimensions of pocket doorframe (E × H)	Width of metal pocket (A)	Standard dimensions of wooden door leaf (C × L)	Standard dimensions of glass door leaf (C × L)	Dimensions of rough construction opening in drywall	Recommended dimensions for rough structural hole in masonry systems
620 × 2112	1341 × 2175	668	650 × 2104	650 × 2092	1341 × 2175	1381 × 2195
720 × 2112	1541 × 2175	768	750 × 2104	750 × 2092	1541 × 2175	1581 × 2195
820 × 2112	1741 × 2175	868	850 × 2104	850 × 2092	1741 × 2175	1781 × 2195
920 × 2112	1941 × 2175	968	950 × 2104	950 × 2092	1941 × 2175	1981 × 2195
1020 × 2112	2141 × 2175	1068	1050 × 2104	1050 × 2092	2141 × 2175	2181 × 2195
1120 × 2112	2341 × 2175	1168	1150 × 2104	1150 × 2092	2341 × 2175	2381 × 2195
1220 × 2112	2541 × 2175	1268	1250 × 2104	1250 × 2092	2541 × 2175	2581 × 2195

A – width of sheet metal pocket

B – width of passage after installation of pocket doorframe

C – standard width of door leaf

D – width of net passage after installation of mounting panels

E – total width of pocket doorframe

F – maximum thickness of door leaf

G – internal dimensions of frame

H – total height of pocket doorframe

I – floor–rail height (verification of positioning on the finished floor)

J – height of net passage after installation of mounting panels

K – external dimensions of pocket doorframe

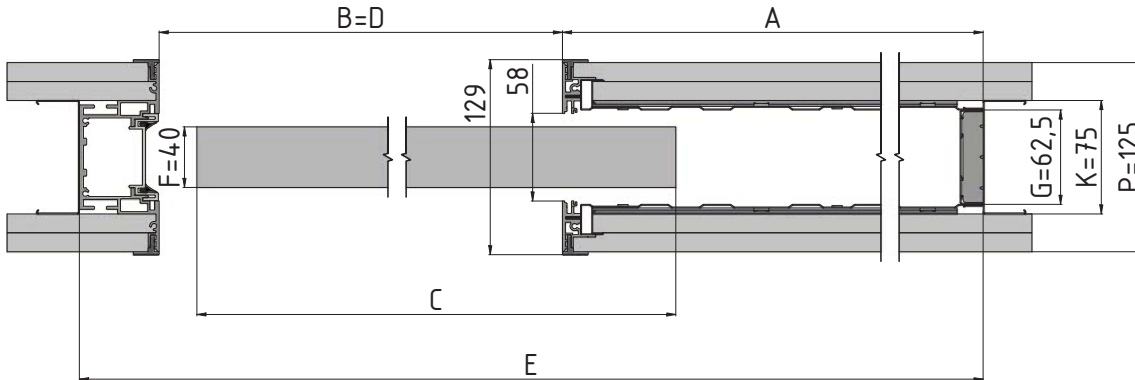
L – standard height of door leaf

P – minimum thickness of finished partition

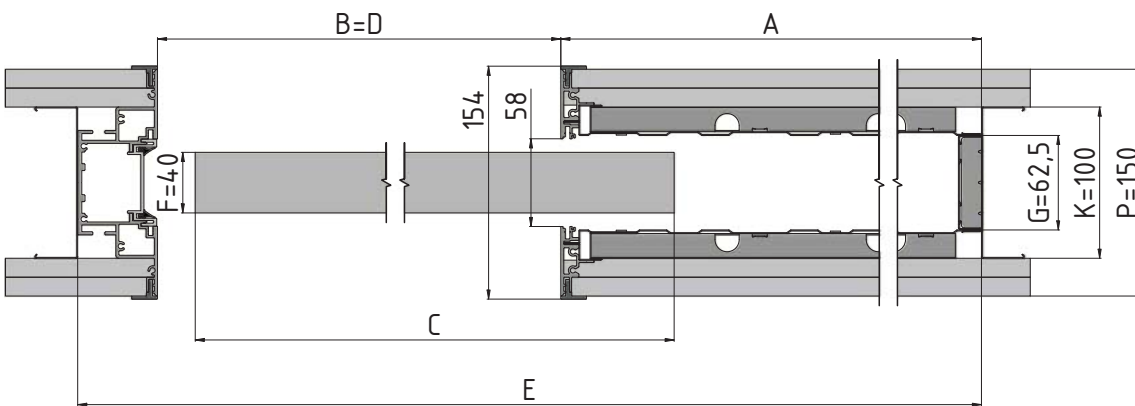
DATA NECESSARY FOR ORDERING EMOTIVE II STANDARD POCKET DOORFRAME

- Clear passage dimensions: D × J
- Partition type: Drywall × masonry
- Door manufacturer: JAP, SAPELI, other manufacturer
- Wall thickness: 125 or 150 mm

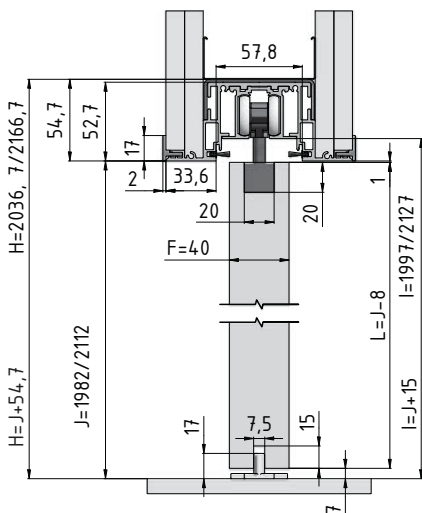
- Recommended dimensions for rough construction opening for drywall systems match the dimensions of the pocket doorframes E x H with the option of moving the raster from CW or UA profiles — abutment of the profile to the pocket.
- Outer thickness (K) of the EMOTIVE pocket doorframe is 100 mm = finished partition (P) is 125 mm or 150 mm.
- The opening must be fitted with a lintel — the pocket doorframe cannot bear a load.
- Optional non-standard dimensions to 2700 mm high.



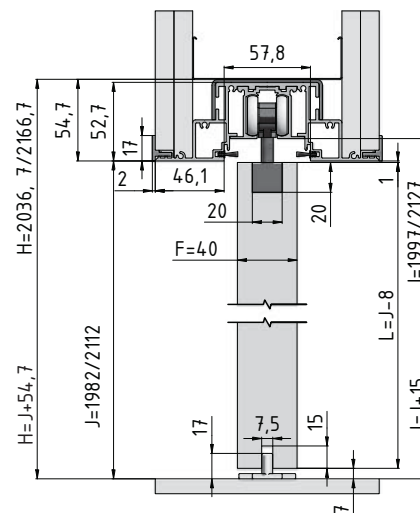
Horizontal cross-section of EMOTIVE II STANDARD pocket with wooden door leaf 40 mm thick, partition thickness 125 mm.



Horizontal cross-section of EMOTIVE II STANDARD pocket with wooden door leaf 40 mm thick, partition thickness 150 mm.



Vertical cross-section of EMOTIVE II STANDARD pocket with wooden door leaf 40 mm thick, partition thickness 125 mm.



Vertical cross-section of EMOTIVE II STANDARD pocket with wooden door leaf 40 mm thick, partition thickness 150 mm.

Accessories for pocket doorframes

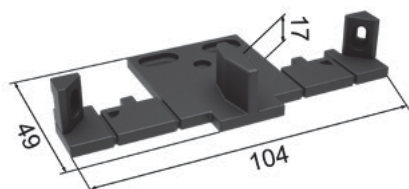
EMOTIVE II STANDARD

All accessories, joining material and seals included.

ACCESSORIES AT EXTRA CHARGE

Installation package for wooden door

1 guide pin



1 end cap



2 aluminium coffins



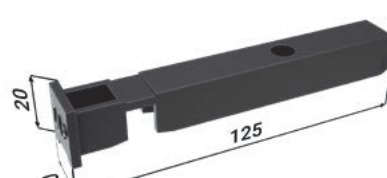
2 stops



2 carriages



2 plastic coffins



ACCESSORIES AT EXTRA CHARGE

Installation package for glass door

2 spacer profiles



1 end cap



2 Vetro 22



1 guide pin with brushes



2 stops



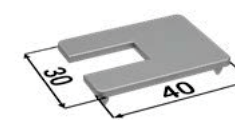
2 carriages



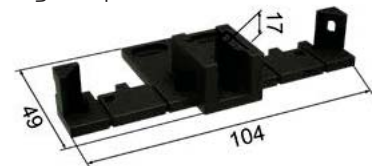
2 Vetro 22 cover profiles



2 Vetro 22 covers



1 guide pin



DATA NECESSARY FOR ORDERING INSTALLATION PACKAGE FOR EMOTIVE II STANDARD POCKET DOORFRAME

- Clear passage dimensions of pocket doorframe

ACCESSORIES AT EXTRA CHARGE

Soft closing mechanism for wooden (≤ 60 kg) + activator

1 soft closing mechanism

1 activator



Soft closing mechanism for glass door (60–85 kg) + activator

1 soft closing mechanism

1 activator



Soft closing mechanism for glass door (85–120 kg) + activator

1 soft closing mechanism

1 activator



- To damp both sides, two single-sided damping systems must be used.

DATA NECESSARY FOR ORDERING INSTALLATION PACKAGE FOR EMOTIVE II STANDARD POCKET DOORFRAME

- Doors: wooden x glass
- Clear passage dimensions of pocket doorframe
- Weight of door leaf

EMOTIVE II STANDARD pocket doorframe fitted with a wooden door leaf



EMOTIVE II STANDARD pocket doorframe fitted with an IDEALINE door



EMOTIVE II STANDARD pocket doorframe fitted with an IDEA door



EMOTIVE II STANDARD pocket doorframe fitted with a MASTER door



EMOTIVE II STANDARD pocket doorframe fitted with an all-glass door leaf



Pocket doorframe EMOTIVE II KOMFORT

EMOTIVE II KOMFORT pocket doorframe



JAP ∞
THE ONLY POCKET DOORFRAME ON THE MARKET
WITH A LIFETIME WARRANTY

Set of two pocket doorframes joined together by a guide rail. Each pocket doorframe is intended for a single-leaf door, with the doors sliding out toward each other, and the movement of the doors may be synchronized. Synchronous travelling mechanism is included in the price of EMOTIVE II KOMFORT

- No doorframe is used, but a decorative aluminium frame 17 mm wide
- The passage around the door is edged with an aluminium frame for both design and protection
- The pocket doorframes are designed for the EMOTIVE range of concealed doorframes for revolving doors
- Optional non-standard dimensions to 2700 mm high
- For drywall and masonry
- For wooden, all-glass, MASTER DOOR and IDEA DOOR
- Hanging the door leaf requires ordering an assembly package for wooden or glass doors at extra charge
- Maximum weight of one door leaf is 90 kg
- Whole frame made of high-quality galvanized sheet and aluminium profile
- For completed wall partitions 125 mm and 150 mm thick
- For masonry partitions, the opening must be fitted with a lintel – the pocket doorframe cannot bear a load
- High-quality, very quiet travelling mechanism in a special aluminium moulding
- Removable upper rails
- Adjustable front and rear stop
- Optional damping stop for gradual closing at extra charge
- Switch can be placed on doorframe pocket
- Lifetime warranty
- Painting according to RAL and NCS swatch books at extra charge
- Lacquer, adhesive bonding and anodizing are used for the surface finish for components of this case.



Dimensions of EMOTIVE II KOMFORT pocket doorframe

All dimensions are in millimetres.

Maximum thickness of door leaf (F) for K 100: 40.

Width of passage after installing pocket doorframe (B) = D

EMOTIVE II KOMFORT 1982 mm

Height of net passage after installation of mounting panels (J): 1982.

Total height of the pocket doorframe (H): 2045.

Standard height of wooden door leaf (L): 1974.

Standard height of glass door leaf (L): 1962.

Net passage min. (D × J)	Overall dimensions of pocket doorframe (E × H)	Width of metal pocket (A)	Standard dimensions of wooden door leaf (C × L)	Standard dimensions of glass door leaf (C × L)	Dimensions of rough construction opening in drywall	Recommended dimensions for rough structural hole in masonry systems
1270 × 1982	2606 × 2045	2 × 668	(2 × 650) × 1974	(2 × 650) × 1962	2606 × 2045	2646 × 2065
1470 × 1982	3006 × 2045	2 × 768	(2 × 750) × 1974	(2 × 750) × 1962	3006 × 2045	3046 × 2065
1670 × 1982	3406 × 2045	2 × 868	(2 × 850) × 1974	(2 × 850) × 1962	3406 × 2045	3446 × 2065
1870 × 1982	3806 × 2045	2 × 968	(2 × 950) × 1974	(2 × 950) × 1962	3806 × 2045	3846 × 2065
2070 × 1982	4206 × 2045	2 × 1068	(2 × 1050) × 1974	(2 × 1050) × 1962	4206 × 2045	4246 × 2065
2270 × 1982	4606 × 2045	2 × 1168	(2 × 1150) × 1974	(2 × 1150) × 1962	4606 × 2045	4446 × 2065
2470 × 1982	5006 × 2045	2 × 1268	(2 × 1250) × 1974	(2 × 1250) × 1962	5006 × 2045	5046 × 2065

EMOTIVE II KOMFORT 2112 mm

Height of net passage after installation of mounting panels (J): 2112.

Total height of the pocket doorframe (H): 2175.

Standard height of wooden door leaf (L): 2104.

Standard height of glass door leaf (L): 2092.

Net passage min. (D × J)	Overall dimensions of pocket doorframe (E × H)	Width of metal pocket (A)	Standard dimensions of wooden door leaf (C × L)	Standard dimensions of glass door leaf (C × L)	Dimensions of rough construction opening in drywall	Recommended dimensions for rough structural hole in masonry systems
1270 × 2112	2606 × 2175	2 × 668	(2 × 650) × 2104	(2 × 650) × 2092	2606 × 2175	2646 × 2195
1470 × 2112	3006 × 2175	2 × 768	(2 × 750) × 2104	(2 × 750) × 2092	3006 × 2175	3046 × 2195
1670 × 2112	3406 × 2175	2 × 868	(2 × 850) × 2104	(2 × 850) × 2092	3406 × 2175	3446 × 2195
1870 × 2112	3806 × 2175	2 × 968	(2 × 950) × 2104	(2 × 950) × 2092	3806 × 2175	3846 × 2195
2070 × 2112	4206 × 2175	2 × 1068	(2 × 1050) × 2104	(2 × 1050) × 2092	4206 × 2175	4246 × 2195
2270 × 2112	4606 × 2175	2 × 1168	(2 × 1150) × 2104	(2 × 1150) × 2092	4606 × 2175	4446 × 2195
2470 × 2112	5006 × 2175	2 × 1268	(2 × 1250) × 2104	(2 × 1250) × 2092	5006 × 2175	5046 × 2195

A – width of sheet metal pocket

B – width of passage after installation of pocket doorframe

C – standard width of door leaf

D – width of net passage after installation of mounting panels

E – total width of pocket doorframe

F – maximum thickness of door leaf

G – internal dimensions of frame

H – total height of pocket doorframe

I – floor–rail height (verification of positioning on the finished floor)

J – height of net passage after installation of mounting panels

K – external dimensions of pocket doorframe

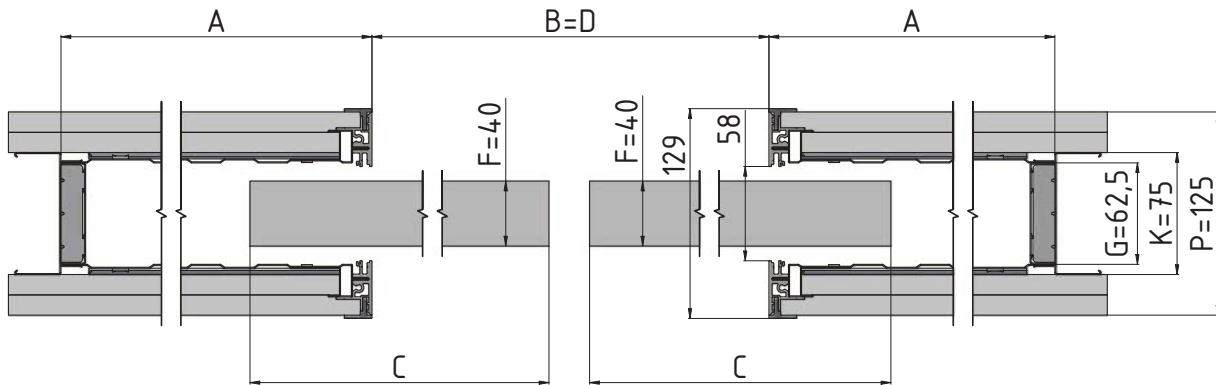
L – standard height of door leaf

P – minimum thickness of finished partition

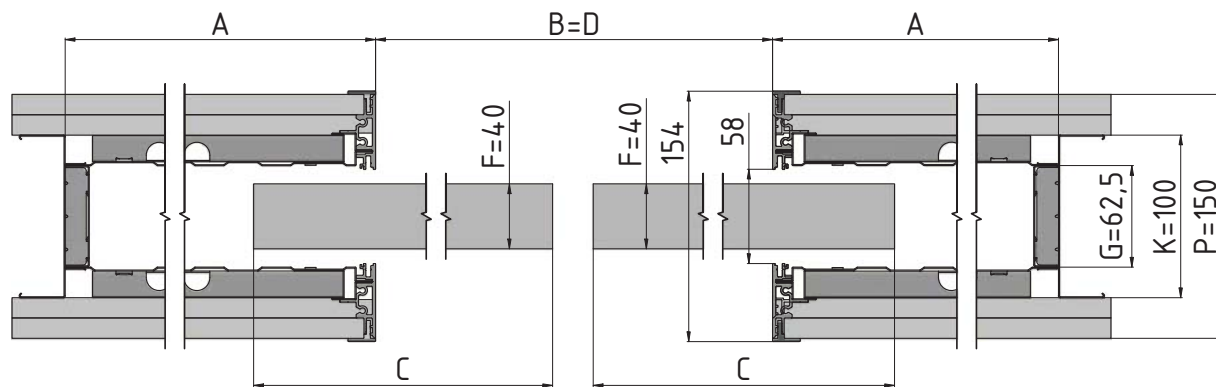
DATA NECESSARY FOR ORDERING EMOTIVE II KOMFORT POCKET DOORFRAME

- Clear passage dimensions: D × J
- Partition type: Drywall × masonry
- Door manufacturer: JAP, SAPELI, other manufacturer
- Wall thickness: 125 or 150 mm

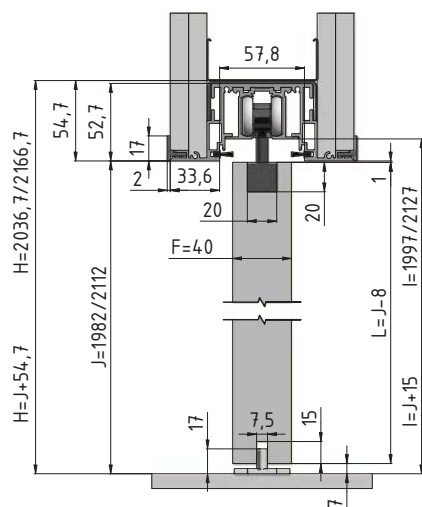
- Outer thickness (K) of the EMOTIVE II pocket doorframe is 100 mm = finished partition (P) is 125 mm or 150 mm.
- The opening must be fitted with a lintel – the pocket doorframe cannot bear a load.
- Optional non-standard dimensions to 2700 mm high.



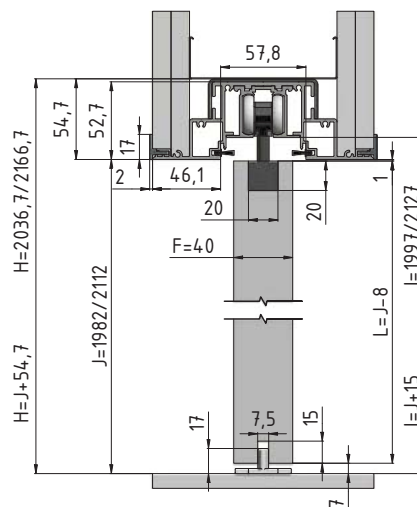
Horizontal cross-section of EMOTIVE II KOMFORT pocket with wooden door leaf 40 mm thick, partition thickness 125 mm.



Horizontal cross-section of EMOTIVE II KOMFORT pocket with wooden door leaf 40 mm thick, partition thickness 150 mm.



Vertical cross-section of EMOTIVE II KOMFORT pocket with wooden door leaf 40 mm thick, partition thickness 125 mm.



Vertical cross-section of EMOTIVE II KOMFORT pocket with wooden door leaf 40 mm thick, partition thickness 150 mm.

Accessories for EMOTIVE II KOMFORT pocket doorframes

All accessories, joining material and seals included.

ACCESSORIES FREE OF CHARGE

Synchronizing mechanism package

All-glass door leaf without synchronizing mechanism.

2 carriages + synchro washer



1 steel cable



2 pulleys



1 spring



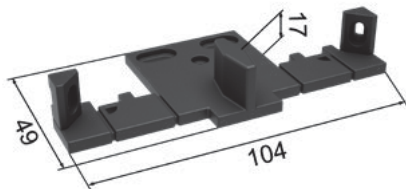
1 clamp



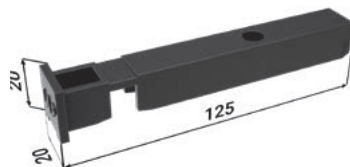
ACCESSORIES AT EXTRA CHARGE

Installation package for wooden door

2 guide pins



4 plastic coffins



4 aluminium coffins



4 stops



4 carriages



ACCESSORIES AT EXTRA CHARGE

Installation package for glass door

4 spacer profiles



2 guide pins with brushes



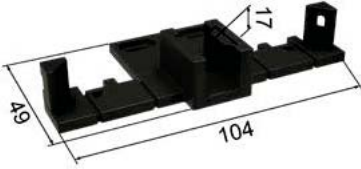
4 Vetro 22



4 Vetro 22 covers



2 guide pins



4 stops



4 carriages



4 Vetro 22 cover profiles



DATA NECESSARY FOR ORDERING INSTALLATION PACKAGE FOR EMOTIVE II KOMFORT POCKET DOORFRAME

- Clear passage dimensions of pocket doorframe

ACCESSORIES AT EXTRA CHARGE

Soft closing mechanism for wooden (≤ 60 kg) + activator

2 soft closing mechanisms



2 activators

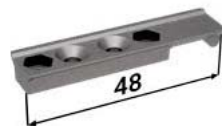


Soft closing mechanism for glass door (60–85 kg) + activator

2 soft closing mechanisms



2 activators



Soft closing mechanism for glass door (85–120 kg) + activator

2 soft closing mechanisms



2 activators



- To damp both sides, two single-sided damping systems must be used.

DATA NECESSARY FOR ORDERING QUIET STOP FOR EMOTIVE II KOMFORT POCKET DOORFRAME

- Doors: wooden x glass
- Clear passage dimensions of pocket doorframe
- Weight of door leaf

Pocket doorframes

LATENTE

STANDARD / KOMFORT

LATENTE STANDARD pocket doorframe



JAP ∞

THE ONLY POCKET DOORFRAME ON THE MARKET
WITH A LIFETIME WARRANTY

LATENTE STANDARD

Masonry



Drywall



Anchor plates



Detail of the screed at the frame mouth



Benchmark



A detail of the upper section of the web leg



Pocket doorframe LATENTE STANDARD

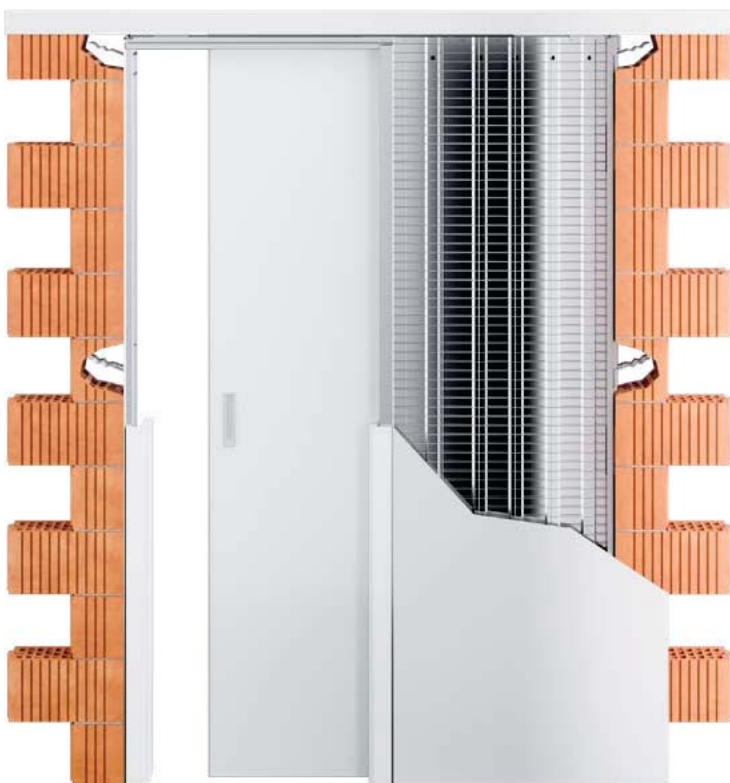
LATENTE STANDARD pocket doorframe



JAP ∞
THE ONLY POCKET DOORFRAME ON THE MARKET
WITH A LIFETIME WARRANTY

A welded pocket doorframe for single-leaf sliding doors with an option to install a mounting panel doorframe when the doorframe is flush with the contour of the wall.

- For doorframes 15 mm thick
- The pocket doorframes are designed for the LATENTE range of counter-doorframes for revolving doors.
- Optional custom dimensions up to 2700 mm high
- For drywall and masonry
- Compatible with all door manufacturers
- For wooden, all-glass, MASTER DOOR and IDEA DOOR
- Hanging the door leaf requires ordering an assembly package for wooden or glass doors at extra charge
- Maximum weight of one door leaf is 90 kg
- Whole frame made of high-quality galvanized sheet and aluminium profile
- For completed wall partitions 125 mm thick
- For masonry partitions, the opening must be fitted with a lintel – the pocket doorframe cannot bear a load
- High-quality, very quiet travelling mechanism in a special aluminium moulding
- Removable upper rails
- Adjustable front and rear stop
- Optional damping stop at extra charge
- Switch can be placed on doorframe pocket
- Lifetime warranty



Dimensions of pocket doorframe

LATENTE STANDARD

All dimensions are in millimetres.

Maximum thickness of door leaf (F) for K 100: 68.

MOUNTING PANELS

50 mm + 12 mm half track + 3 mm wide shadow groove.

LATENTE STANDARD 1970 mm

Height of net passage after installation of mounting panels (J): 1970.

Total height of the pocket doorframe (H): 2053.

Standard height of wooden door leaf (L): 1985.

Net passage after mounting panels min. (D × J)	Overall dimensions of pocket doorframe (E × H)	Width of metal pocket (A)	Width of passage after installation of pocket doorframe (B)	Standard dimensions of door leaf (C × L)	Dimensions of rough construction opening in drywall	Recommended dimensions for rough structural hole in masonry systems
600 × 1970	1392 × 2053	690	680	650 × 1985	1392 × 2053	1432 × 2073
700 × 1970	1592 × 2053	790	780	750 × 1985	1592 × 2053	1632 × 2073
800 × 1970	1792 × 2053	890	880	850 × 1985	1792 × 2053	1832 × 2073
900 × 1970	1992 × 2053	990	980	950 × 1985	1992 × 2053	2032 × 2073
1000 × 1970	2192 × 2053	1090	1080	1050 × 1985	2192 × 2053	2232 × 2073
1100 × 1970	2392 × 2053	1190	1180	1150 × 1985	2392 × 2053	2432 × 2073
1200 × 1970	2592 × 2053	1290	1280	1250 × 1985	2592 × 2053	2632 × 2073

LATENTE STANDARD 2100 mm

Height of net passage after installation of mounting panels (J): 2100.

Total height of the pocket doorframe (H): 2183.

Standard height of wooden door leaf (L): 2115.

Net passage after mounting panels min. (D × J)	Overall dimensions of pocket doorframe (E × H)	Width of metal pocket (A)	Width of passage after installation of pocket doorframe (B)	Standard dimensions of door leaf (C × L)	Dimensions of rough construction opening in drywall	Recommended dimensions for rough structural hole in masonry systems
600 × 2100	1392 × 2183	690	680	650 × 2115	1392 × 2183	1432 × 2203
700 × 2100	1592 × 2183	790	780	750 × 2115	1592 × 2183	1632 × 2203
800 × 2100	1792 × 2183	890	880	850 × 2115	1792 × 2183	1832 × 2203
900 × 2100	1992 × 2183	990	980	950 × 2115	1992 × 2183	2032 × 2203
1000 × 2100	2192 × 2183	1090	1080	1050 × 2115	2192 × 2183	2232 × 2203
1100 × 2100	2392 × 2183	1190	1180	1150 × 2115	2392 × 2183	2432 × 2203
1200 × 2100	2592 × 2183	1290	1280	1250 × 2115	2592 × 2183	2632 × 2203

A – width of sheet metal pocket

B – width of passage after installation of pocket doorframe

C – standard width of door leaf

D – width of net passage after installation of mounting panels

E – total width of pocket doorframe

F – maximum thickness of door leaf

G – internal dimensions of frame

H – total height of pocket doorframe

I – floor–rail height (verification of positioning on the finished floor)

J – height of net passage after installation of mounting panels

K – external dimensions of pocket doorframe

L – standard height of door leaf

P – minimum thickness of finished partition

MOUNTING PANELS

65 mm + 0 mm wide half-groove + 1 mm wide shadow groove

LATENTE STANDARD 1970 mm

Height of net passage after installation of mounting panels (J): 1970.

Total height of the pocket doorframe (H): 2054.

Standard height of wooden door leaf (L): 1985.

Net passage after mounting panels min. (D × J)	Overall dimensions of pocket doorframe (E × H)	Width of metal pocket (A)	Width of passage after installation of pocket doorframe (B)	Standard dimensions of door leaf (C × L)	Dimensions of rough construction opening in drywall	Recommended dimensions for rough structural hole in masonry systems
600 × 1970	1388 × 2054	690	676	650 × 1985	1388 × 2054	1428 × 2074
700 × 1970	1588 × 2054	790	776	750 × 1985	1588 × 2054	1628 × 2074
800 × 1970	1788 × 2054	890	876	850 × 1985	1788 × 2054	1828 × 2074
900 × 1970	1988 × 2054	990	976	950 × 1985	1988 × 2054	2028 × 2074
1000 × 1970	2188 × 2054	1090	1076	1050 × 1985	2188 × 2054	2228 × 2074
1100 × 1970	2388 × 2054	1190	1176	1150 × 1985	2388 × 2054	2428 × 2074
1200 × 1970	2588 × 2054	1290	1276	1250 × 1985	2588 × 2054	2628 × 2074

LATENTE STANDARD 2100 mm

Height of net passage after installation of mounting panels (J): 2100.

Total height of the pocket doorframe (H): 2184.

Standard height of wooden door leaf (L): 2115.

Net passage after mounting panels min. (D × J)	Overall dimensions of pocket doorframe (E × H)	Width of metal pocket (A)	Width of passage after installation of pocket doorframe (B)	Standard dimensions of door leaf (C × L)	Dimensions of rough construction opening in drywall	Recommended dimensions for rough structural hole in masonry systems
600 × 2100	1388 × 2184	690	676	650 × 2115	1388 × 2184	1428 × 2204
700 × 2100	1588 × 2184	790	776	750 × 2115	1588 × 2184	1628 × 2204
800 × 2100	1788 × 2184	890	876	850 × 2115	1788 × 2184	1828 × 2204
900 × 2100	1988 × 2184	990	976	950 × 2115	1988 × 2184	2028 × 2204
1000 × 2100	2188 × 2184	1090	1076	1050 × 2115	2188 × 2184	2228 × 2204
1100 × 2100	2388 × 2184	1190	1176	1150 × 2115	2388 × 2184	2428 × 2204
1200 × 2100	2588 × 2184	1290	1276	1250 × 2115	2588 × 2184	2628 × 2204

Pocket doorframe

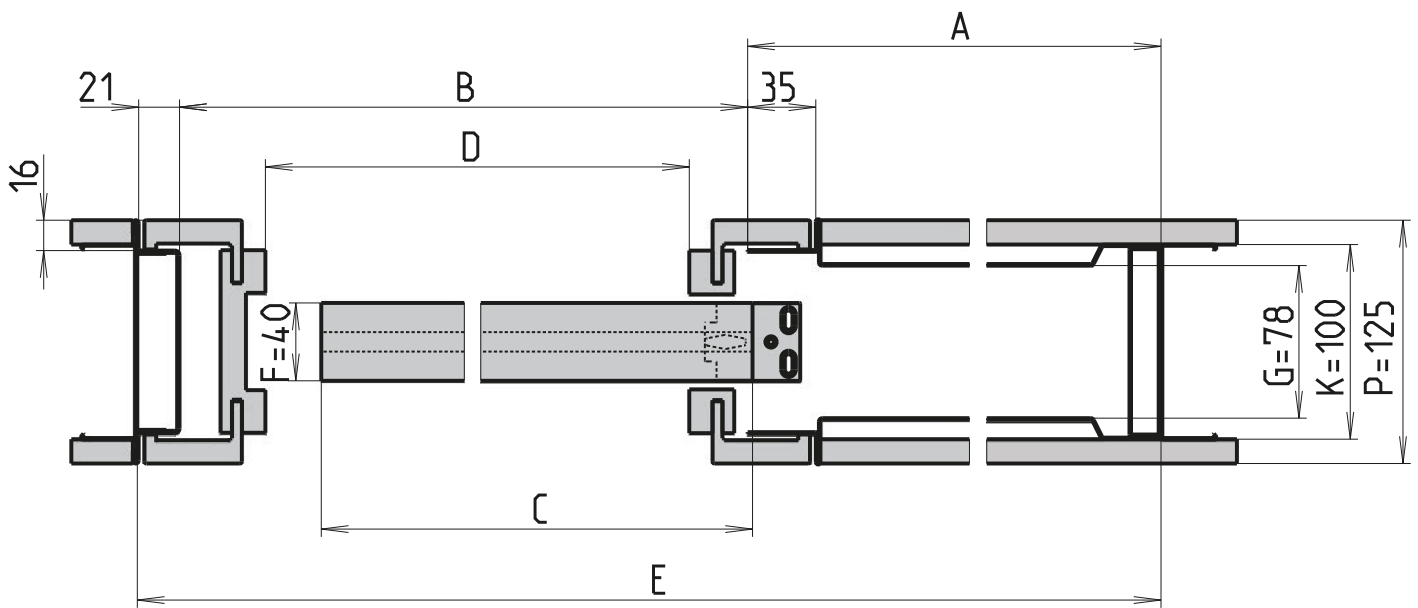
LATENTE STANDARD

DATA NECESSARY FOR ORDERING LATENTE STANDARD POCKET DOORFRAME

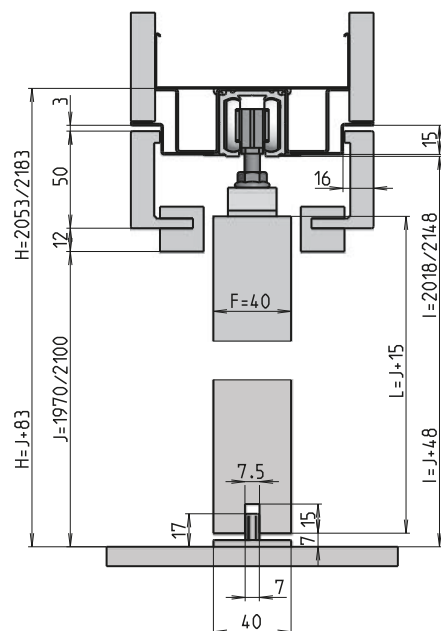
- Clear passage dimensions: D × J
- Partition type: Drywall × masonry
- Thickness of finished partition
- Mounting panel type: 50 + 12 + 3 mm or 65 + 0 + 1 mm (mounting panel width + half track width + shadow groove width)



- Outer thickness (K) of the LATENTE STANDARD pocket doorframe is 100 mm = finished partition (P) is 125 mm.
- The opening must be fitted with a lintel – the pocket doorframe cannot bear a load.
- Optional non-standard dimensions to 2700 mm high.



Horizontal cross-section of LATENTE STANDARD pocket doorframe with wooden door leaf 40 mm thick.



Vertical cross-section of LATENTE STANDARD frame with wooden door leaf 40 mm thick.

Accessories for pocket doorframes

LATENTE STANDARD

All accessories and joining material included.

INCLUDED IN THE PACKAGE

Set of travelling mechanisms

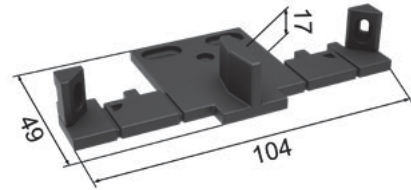
1 rail add-on



2 door racks



1 guide pin



2 stops



2 carriages



ACCESSORIES AT EXTRA CHARGE

Soft closing mechanism for wooden (≤ 60 kg) + activator

1 soft closing mechanism

1 activator



Soft closing mechanism for glass door (60–85 kg) + activator

1 soft closing mechanism

1 activator



Soft closing mechanism for glass door (85–120 kg) + activator

1 soft closing mechanism

1 activator

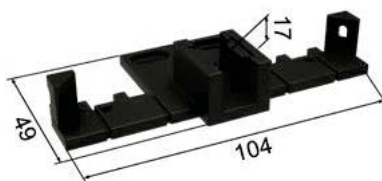
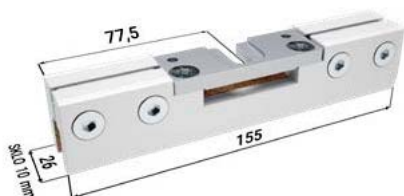


- To damp both sides, two single-sided damping systems must be used.

Set of fixtures for Vetro 22 glass door leaf with guide

2 Vetros

1 guide pin



DATA NECESSARY FOR ORDERING INSTALLATION PACKAGE FOR LATENTE STANDARD POCKET DOORFRAME

- Net passage dimensions of pocket doorframe
- Weight of door leaf

Pocket doorframe LATENTE KOMFORT

LATENTE KOMFORT pocket doorframe



JAP ∞

THE ONLY POCKET DOORFRAME ON THE MARKET
WITH A LIFETIME WARRANTY

This model is a set of two welded pockets connected with a guide moulding. Each pocket is intended for one single-leaf door that slides out against itself.

- The pocket doorframes are designed for the LATENTE range of counter-doorframes for revolving doors.
- Movement of door leaves is synchronized – synchronized track for LATENTE KOMFORT included in price.
- The LATENTE KOMFORT pocket doorframe allows installation of a mounting panel doorframe flush with the neighbouring partition
- For mounting panel doorframes 15 mm thick. Doorframe is flush with the contour of the wall
- Optional non-standard dimensions to 2700 mm high.
- For drywall and masonry
- For masonry partitions, the opening must be fitted with a lintel – the pocket doorframe cannot bear a load
- For wooden, all-glass, MASTER DOOR and IDEA DOOR
- Compatible with all door manufacturers
- Maximum weight of one door leaf is 90 kg
- Very quiet travelling mechanism in a special aluminium moulding
- Removable upper rails
- Adjustable front and rear stop
- Optional damping stop for gradual closing at extra charge
- Switch can be placed on doorframe pocket
- Whole frame made of high-quality galvanized sheet
- Lifetime warranty



Dimensions of pocket doorframe

LATENTE KOMFORT

All dimensions are in millimetres.

Maximum thickness of door leaf (F) for K 100: 68.

MOUNTING PANELS

50 mm + 12 mm half track + 3 mm wide shadow groove.

LATENTE KOMFORT 1970 mm

Height of net passage after installation of mounting panels (J): 1970.

Total height of the pocket doorframe (H): 2053.

Standard height of wooden door leaf (L): 1985.

Net passage after mounting panels min. (D × J)	Overall dimensions of pocket doorframe (E × H)	Width of metal pocket (A)	Width of passage after installation of pocket doorframe (B)	Standard dimensions of door leaf (C × L)	Dimensions of rough construction opening in drywall	Recommended dimensions for rough structural hole in masonry systems
1250 × 1970	2696 × 2053	690	1316	(2 × 650) × 1985	2696 × 2053	2736 × 2073
1450 × 1970	3096 × 2053	790	1516	(2 × 750) × 1985	3096 × 2053	3136 × 2073
1650 × 1970	3496 × 2053	890	1716	(2 × 850) × 1985	3496 × 2053	3536 × 2073
1850 × 1970	3896 × 2053	990	1916	(2 × 950) × 1985	3896 × 2053	3936 × 2073
2050 × 1970	4296 × 2053	1090	2116	(2 × 1050) × 1985	4296 × 2053	4336 × 2073
2250 × 1970	4696 × 2053	1190	2316	(2 × 1150) × 1985	4696 × 2053	4736 × 2073
2450 × 1970	5096 × 2053	1290	2516	(2 × 1250) × 1985	5096 × 2053	5136 × 2073

LATENTE KOMFORT 2100 mm

Height of net passage after installation of mounting panels (J): 2100.

Total height of the pocket doorframe (H): 2183.

Standard height of wooden door leaf (L): 2115.

Net passage after mounting panels min. (D × J)	Overall dimensions of pocket doorframe (E × H)	Width of metal pocket (A)	Width of passage after installation of pocket doorframe (B)	Standard dimensions of door leaf (C × L)	Dimensions of rough construction opening in drywall	Recommended dimensions for rough structural hole in masonry systems
1250 × 2100	2696 × 2183	690	1316	(2 × 650) × 2115	2696 × 2183	2736 × 2203
1450 × 2100	3096 × 2183	790	1516	(2 × 750) × 2115	3096 × 2183	3136 × 2203
1650 × 2100	3496 × 2183	890	1716	(2 × 850) × 2115	3496 × 2183	3536 × 2203
1850 × 2100	3896 × 2183	990	1916	(2 × 950) × 2115	3896 × 2183	3936 × 2203
2050 × 2100	4296 × 2183	1090	2116	(2 × 1050) × 2115	4296 × 2183	4336 × 2203
2250 × 2100	4696 × 2183	1190	2316	(2 × 1150) × 2115	4696 × 2183	4736 × 2203
2450 × 2100	5096 × 2183	1290	2516	(2 × 1250) × 2115	5096 × 2183	5136 × 2203

A – width of sheet metal pocket

B – width of passage after installation of pocket doorframe

C – standard width of door leaf

D – width of net passage after installation of mounting panels

E – total width of pocket doorframe

F – maximum thickness of door leaf

G – internal dimensions of frame

H – total height of pocket doorframe

I – floor–rail height (verification of positioning on the finished floor)

J – height of net passage after installation of mounting panels

K – external dimensions of pocket doorframe

L – standard height of door leaf

P – minimum thickness of finished partition

MOUNTING PANELS

65 mm + Ø mm wide half-groove + 1 mm wide shadow groove

LATENTE KOMFORT 1970 mm

Height of net passage after installation of mounting panels (J): 1970.

Total height of the pocket doorframe (H): 2054.

Standard height of wooden door leaf (L): 1985.

Net passage after mounting panels min. (D × J)	Overall dimensions of pocket doorframe (E × H)	Width of metal pocket (A)	Width of passage after installation of pocket doorframe (B)	Standard dimensions of door leaf (C × L)	Dimensions of rough construction opening in drywall	Recommended dimensions for rough structural hole in masonry systems
1250 × 1970	2692 × 2054	690	1312	(2 × 650) × 1985	2692 × 2054	2732 × 2074
1450 × 1970	3092 × 2054	790	1512	(2 × 750) × 1985	3092 × 2054	3132 × 2074
1650 × 1970	3492 × 2054	890	1712	(2 × 850) × 1985	3492 × 2054	3532 × 2074
1850 × 1970	3892 × 2054	990	1912	(2 × 950) × 1985	3892 × 2054	3932 × 2074
2050 × 1970	4292 × 2054	1090	2112	(2 × 1050) × 1985	4292 × 2054	4332 × 2074
2250 × 1970	4692 × 2054	1190	2312	(2 × 1150) × 1985	4692 × 2054	4732 × 2074
2450 × 1970	5092 × 2054	1290	2512	(2 × 1250) × 1985	5092 × 2054	5132 × 2074

LATENTE KOMFORT 2100 mm

Height of net passage after installation of mounting panels (J): 2100.

Total height of the pocket doorframe (H): 2184.

Standard height of wooden door leaf (L): 2115.

Net passage after mounting panels min. (D × J)	Overall dimensions of pocket doorframe (E × H)	Width of metal pocket (A)	Width of passage after installation of pocket doorframe (B)	Standard dimensions of door leaf (C × L)	Dimensions of rough construction opening in drywall	Recommended dimensions for rough structural hole in masonry systems
1250 × 2100	2692 × 2184	690	1312	(2 × 650) × 2115	2692 × 2184	2732 × 2204
1450 × 2100	3092 × 2184	790	1512	(2 × 750) × 2115	3092 × 2184	3132 × 2204
1650 × 2100	3492 × 2184	890	1712	(2 × 850) × 2115	3492 × 2184	3532 × 2204
1850 × 2100	3892 × 2184	990	1912	(2 × 950) × 2115	3892 × 2184	3932 × 2204
2050 × 2100	4292 × 2184	1090	2112	(2 × 1050) × 2115	4292 × 2184	4332 × 2204
2250 × 2100	4692 × 2184	1190	2312	(2 × 1150) × 2115	4692 × 2184	4732 × 2204
2450 × 2100	5092 × 2184	1290	2512	(2 × 1250) × 2115	5092 × 2184	5132 × 2204

Pocket doorframe

LATENTE KOMFORT

DATA NECESSARY FOR ORDERING LATENTE KOMFORT POCKET DOORFRAME

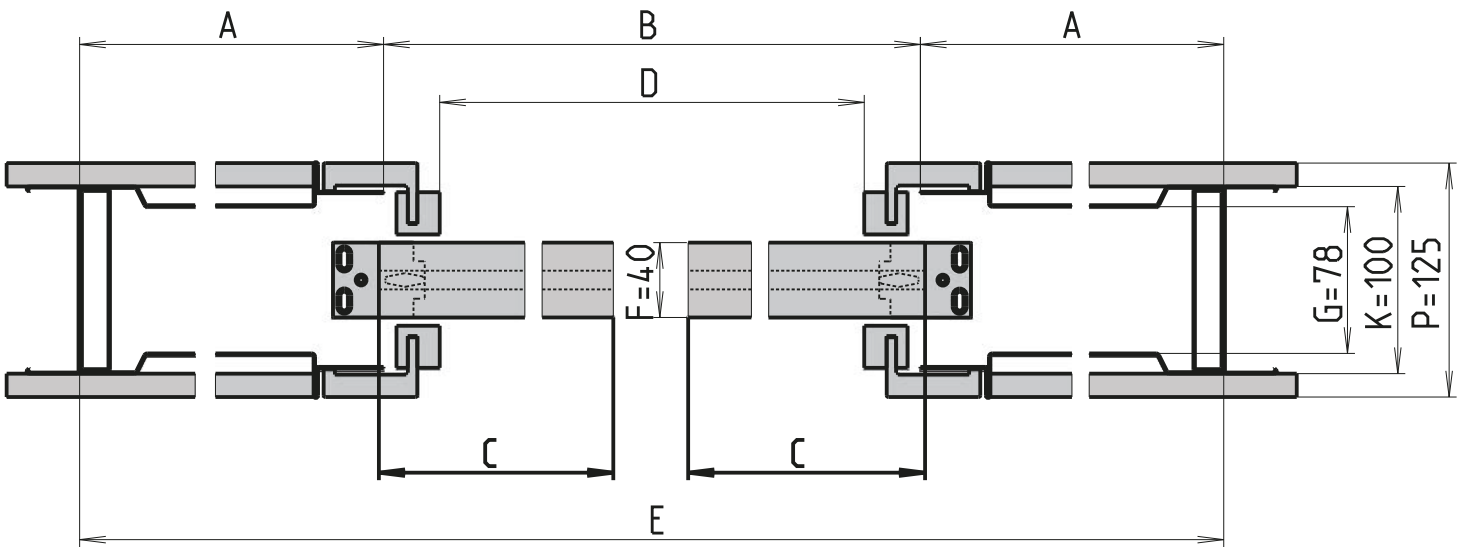
- Clear passage dimensions: D × J
- Partition type: Drywall × masonry
- Thickness of finished partition
- Mounting panel type: 50 + 12 + 3 mm or 65 + 0 + 1 mm (mounting panel width + half track width + shadow groove width)



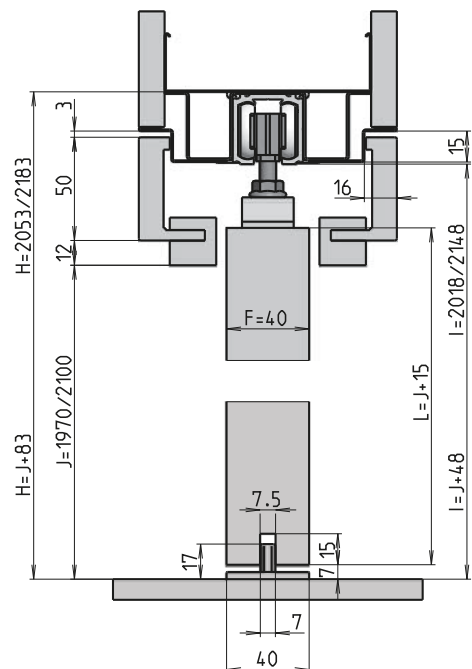
JAP ∞

THE ONLY POCKET DOORFRAME ON THE MARKET
WITH A LIFETIME WARRANTY

- Outer thickness (K) of the LATENTE KOMFORT pocket doorframe is 100 mm = finished partition (P) is 125 mm.
- The hole must be provided with a lintel — the pocket doorframe cannot bear a load.
- Standard net passage height is 1970 mm, 1985 mm, 2100 mm and 2115 mm.



Horizontal cross-section of LATENTE KOMFORT pocket doorframe with a wooden door leaf 40 mm thick.



Vertical cross-section of LATENTE KOMFORT frame with wooden door leaf 40 mm thick.

Accessories for pocket doorframes

LATENTE KOMFORT

All accessories and joining material included.

INCLUDED IN THE PACKAGE

Set of travelling mechanisms

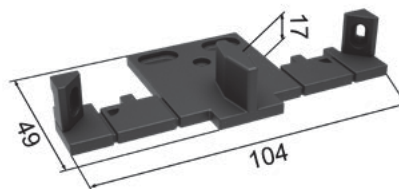
1 rail add-on



2 door racks



1 guide pin



2 stops



2 carriages



ACCESSORIES FREE OF CHARGE

Synchronizing mechanism package

2 brackets with slots



1 steel cable



2 pulleys



2 synchro washers



1 spring



1 clamp



ACCESSORIES AT EXTRA CHARGE

Soft closing mechanism for wooden (≤ 60 kg) + activator

2 soft closing mechanisms

2 activators



Soft closing mechanism for glass door (60–85 kg) + activator

2 soft closing mechanisms

2 activators



Soft closing mechanism for glass door (85–120 kg) + activator

2 soft closing mechanisms

2 activators

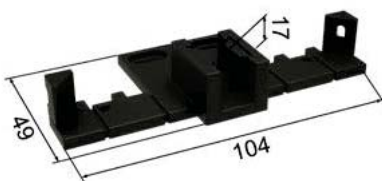


- To damp both sides, two single-sided damping systems must be used.

Set of fixtures for Vetro 22 glass door leaf with guide

2 Vetros

1 guide pin



DATA NECESSARY FOR ORDERING SOFT CLOSING MECHANISM FOR LATENTE KOMFORT POCKET DOORFRAME

- Net passage dimensions of pocket doorframe
- Weight of door leaf

METAL FITTINGS OFFERED FOR SLIDING DOORS

Available in the offered versions:

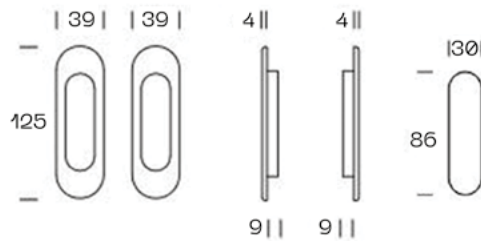
OSC – matte chrome

OC – gloss chrome

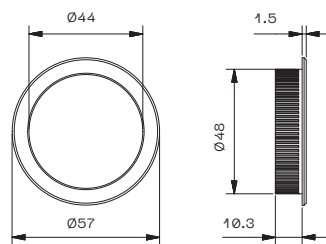
LV – gloss brass



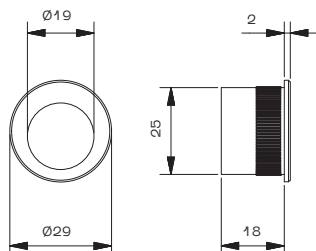
535 – OVAL DOOR PULL



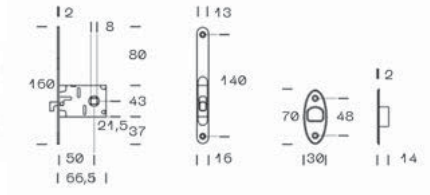
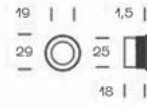
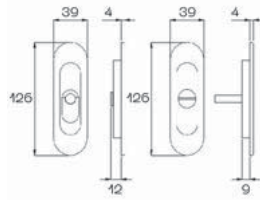
524 – WIDE ROUND DOOR PULL



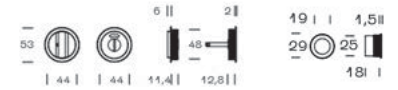
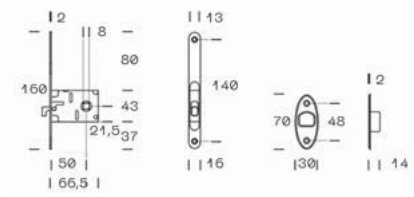
525 – FRONT DOOR PULL



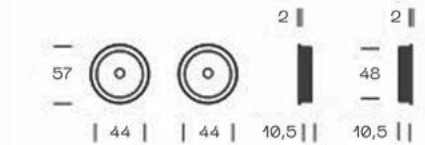
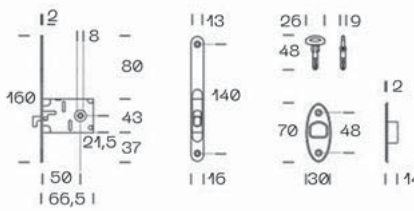
552 – SET WITH OVAL TOILET LOCK



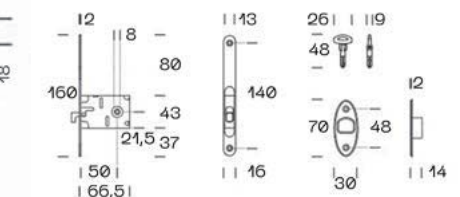
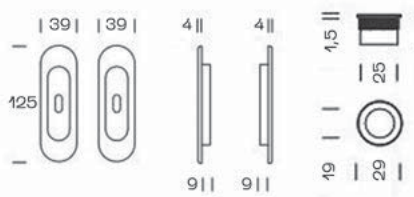
508 – SET WITH ROUND TOILET LOCK



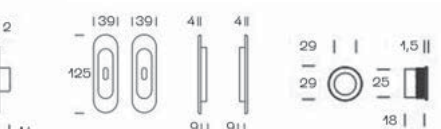
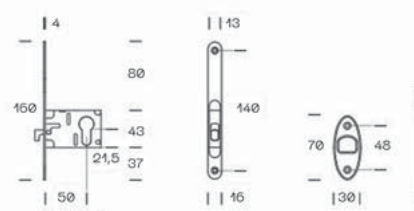
524 – ROUND KEY LOCK SET



53527 – OVAL KEY LOCK SET

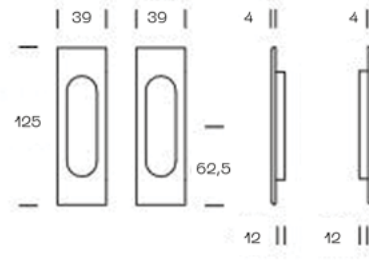


53528 – KEYLESS FAB LOCK SET

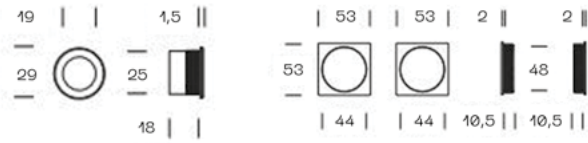


METAL FITTINGS OFFERED FOR SLIDING DOORS

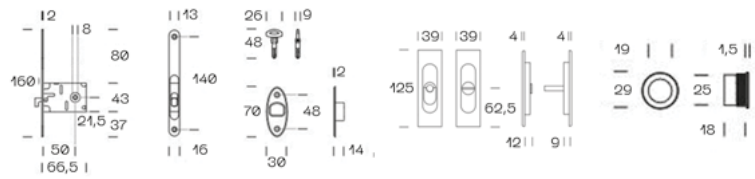
Q35 – SQUARE DOOR PULL



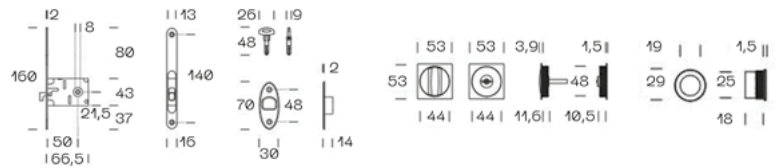
Q24 – SQUARE DOOR PULL



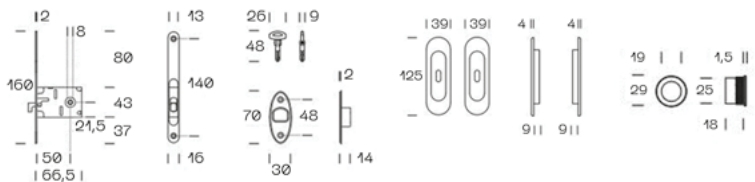
952 – SET WITH SQUARE TOILET LOCK



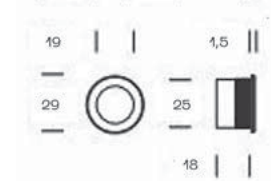
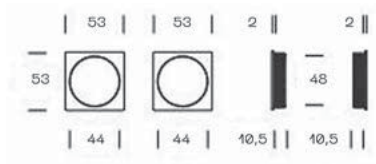
873 – SET WITH SQUARE TOILET LOCK



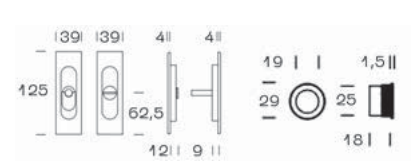
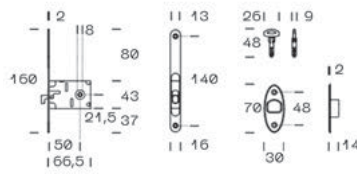
Q3528 – KEYLESS FAB SQUARE LOCK SET



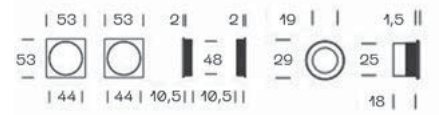
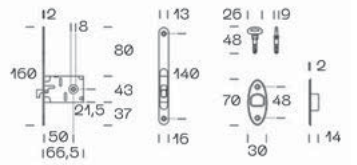
Q2428 – KEYLESS FAB SQUARE LOCK SET



Q3527 – SQUARE KEY LOCK SET



Q2427 – SQUARE KEY LOCK SET



WALL AND CEILING TRACKS

These mechanisms are an ideal choice for those who want a fresh, clean design solution and optimal use of interior space.

Sliding mechanisms offer a solution for situations where it is no longer possible to interfere with the partition and construct a pocket doorframe for a sliding door. Mounting the travelling rails requires no structural modifications.

All of our sliding mechanisms are manufactured from quality materials, mainly from aluminium, or alternatively from stainless steel, and are ideal for both glass and wooden doors.

We offer sliding systems in the ranges TRIX BASIC, TRIX TRENDY AND PREMIUM.

They are mounted onto the wall or ceiling above the doorframe, or alternatively on a glass wall. The choice of the track type largely depends on the weight of the door leaf.

The PREMIUM track is mounted onto the load-bearing ceiling and is covered with drywall ceiling – this is called a concealed sliding mechanism. The PREMIUM system creates an elegant partition between two separate spaces.

All of our wall and ceiling mounted travelling mechanisms are very quiet and, depending on the type, also have the option for soft closing mechanisms.



All sliding systems are painted in colours from the RAL or NCS swatch book.

	TRIX BASIC	TRIX TRENDY	PREMIUM
max. weight per leaf	100 kg	100 kg	160 kg
track material	aluminium	aluminium	aluminium
carriage hanger material	plastic	plastic	plastic/Al alloy
surface treatment	brushed aluminium	elox	RAL K7, NCS
wooden doors	✓	✓	✓
glass doors	✓	✓	✓
for masonry	✓	✓	
above mounting panel	✓	✓	
to ceiling	✓	✓	✓
for glass wall			
single-leaf	✓	✓	✓
double-leaf	✓	✓	✓
synchronous	✓	✓	
damping stop	✓	✓**	✓
fixed all-glass		✓	✓
fixed leaf thickness 40 mm	✓		✓
MASTER doors	✓	✓	✓

* Installation package must be used for wooden doors.

** From passages of 700 mm/1450 mm.

SLIDING SYSTEMS TRIX / PREMIUM

On wall and ceiling

TRIX BASIC – wood



TRIX BASIC – glass



TRIX TRENDY – wood



TRIX TRENDY – glass



PREMIUM



PREMIUM – glass



Sliding systems

TRIX

BASIC / TRENDY

TRIX BASIC sliding system — single-leaf



TRIX BASIC sliding system

SINGLE-LEAF TRACK

- net passage 600–1400 mm
- aluminium material
- surface treatment: brushed aluminium
- option for textured and smooth surface treatments from the RAL K7, NCS swatch books
- maximum door weight 100 kg

DOUBLE-LEAF SLIDING

- net passage 1,250–2,600 mm
- aluminium material
- surface treatment: brushed aluminium
- option for textured and smooth surface treatments from the RAL K7, NCS swatch books
- maximum door weight 80 + 80 kg



TRIX BASIC sliding system
Single-leaf track



TRIX BASIC sliding system
Double-leaf track

TRIX TRENDY sliding system

SINGLE-LEAF TRACK

- front 65/85 mm
- net passage 600–900 mm
- aluminium material
- surface treatment: elox
- option for textured and smooth surface treatments from the RAL K7, NCS swatch books
- maximum door weight 100 kg

1 set of carriages, 1 guide pin, 1 set of Vetro II (in the case of all-glass doors), 1 soft closing mechanism*, aluminium profiles to order.

* Net passage from 700 mm.

DOUBLE-LEAF TRACK

- front 65/85 mm
- net passage 1250–1850 mm
- aluminium material
- surface treatment: elox
- option for textured and smooth surface treatments from the RAL K7, NCS swatch books
- maximum door weight 100 + 100 kg

2 sets of carriages, 2 sets of Vetro II (for all-glass doors), 2 soft closing mechanisms* included.

* Net passage from 1450 mm.



TRIX TRENDY sliding system Single-leaf track

TRIX TRENDY sliding system Double-leaf track

TRIX TRENDY sliding system

FIXED WALL + SINGLE-LEAF TRACK

- front 65/85 mm
- aluminium material
- surface treatment: elox
- option for textured and smooth surface treatments from the RAL K7, NCS swatch books
- maximum door weight 100 kg

1 set of carriages, 1 guide pin, 1 set of Vetro II (in the case of all-glass doors), 1 soft closing mechanism.



Sliding systems PREMIUM

PREMIUM sliding systems — Fixed wall + single-leaf track
IDEA door clear glass



Sliding system PREMIUM

FIXED WALL + SINGLE-LEAF TRACK

- aluminium material
- maximum door weight 100 kg

The price includes a set of 2 carriages with a soft closing mechanism, a guide pin, 2 sets of Vetro II (for all-glass doors), recessed door pulls (for wooden doors).

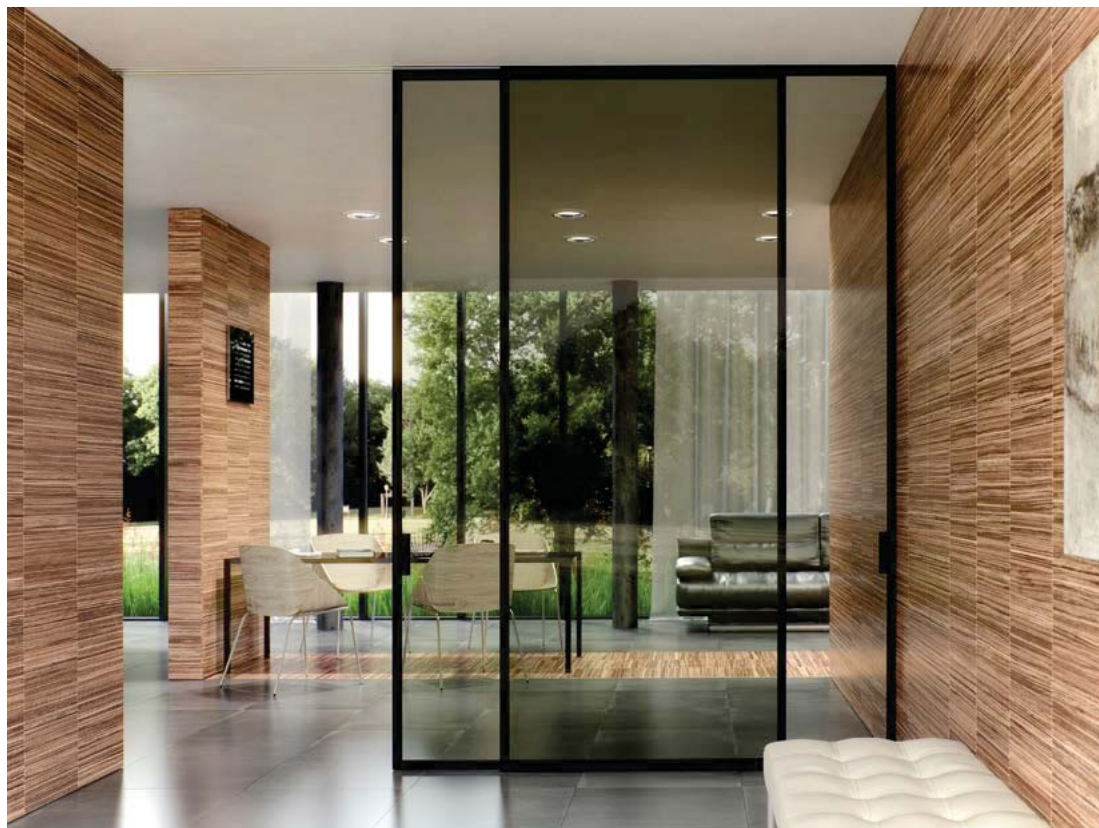
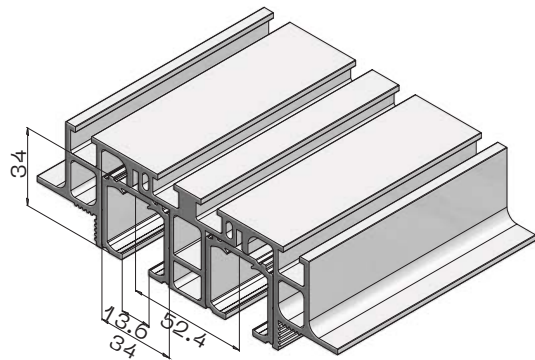


Sliding system PREMIUM

DOUBLE-LEAF SLIDING

- aluminium material
- maximum door weight 100 kg

The price includes a set of 2 carriages with a soft closing mechanism, a guide pin, 2 sets of Vetro II + cover (for all-glass doors), recessed door pulls (for wooden doors).





PREMIUM sliding system — Fixed wall + single-leaf track IDEA door with Grafoglass

STOCK PRODUCTS

Lined pocket doorframes

NORMA STANDARD 1970 mm – masonry/drywall (for completed partition 100/125 mm)

600 × 1970 mm
700 × 1970 mm
800 × 1970 mm
900 × 1970 mm
1000 × 1970 mm
1100 × 1970 mm
1200 × 1970 mm

NORMA STANDARD 2100 mm – masonry/drywall (for completed partition 100/125 mm)

600 × 2100 mm
700 × 2100 mm
800 × 2100 mm
900 × 2100 mm
1000 × 2100 mm
1100 × 2100 mm
1200 × 2100 mm

NORMA KOMFORT 1970 mm – masonry/drywall (for completed partition 125 mm)

1250 × 1970 mm
1450 × 1970 mm
1650 × 1970 mm

PROFIKIT STANDARD 1970 mm – drywall (for completed partition 100/125 mm)

600 × 1970 mm
700 × 1970 mm
800 × 1970 mm
900 × 1970 mm
1000 × 1970 mm
1100 × 1970 mm
1200 × 1970 mm

PROFIKIT STANDARD 2100 mm – drywall (for completed partition 100/125 mm)

600 × 2100 mm
700 × 2100 mm
800 × 2100 mm
900 × 2100 mm
1000 × 2100 mm
1100 × 2100 mm
1200 × 2100 mm

Unlined pocket doorframes

AKTIVE II STANDARD 1970 mm – masonry/ drywall (for completed partition 125 mm)

700 × 1970 mm
800 × 1970 mm
900 × 1970 mm

AKTIVE II STANDARD 2100 mm – masonry/ drywall (for completed partition 125 mm)

700 × 2100 mm
800 × 2100 mm
900 × 2100 mm

More information on AKTIVE II STANDARD pockets:

-
- including mounting packages
 - delivery time with bonding bridge: 5 business days, with colour and anodized: 10 business days

CZECH REPUBLIC

COMPANY HEADQUARTERS
AND SHOWROOM

JAP FUTURE s.r.o.
Nivky 67
750 02 Přerov III – Lověšice

+420 581 587 811
jap@japcz.cz
www.japcz.cz

PRAGUE SHOWROOM

Českomoravská 183/27
(Sykora Home)
190 00 Prague 9 – Vysočany
+420 739 278 160
praha@japcz.cz

SLOVAKIA

COMPANY HEADQUARTERS
AND SHOWROOM

J.A.P Slovakia s.r.o.
Zadunajská cesta 12
851 01 Bratislava

+421907954486
obchod@jap.sk
www.jap.sk